

sew

ISSUE 167 OCTOBER 2022

PATTERN DOWNLOAD

CUT OUT & KEEP

HARPER BLOUSE

Designer: Amanda Walker

Magazine page: 24



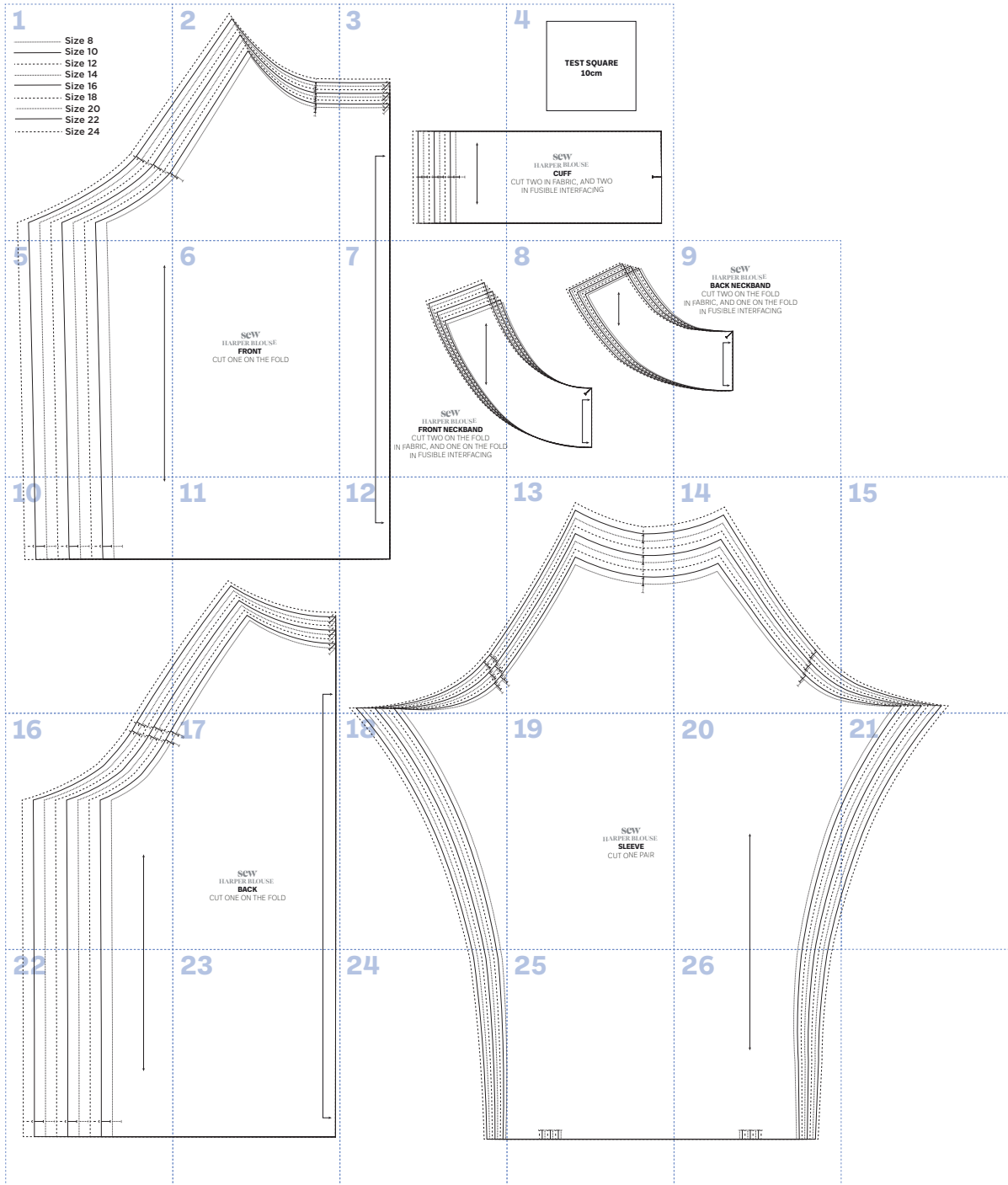
IN YOUR PRINT MENU, UNDER SIZE OPTIONS, BE SURE TO
SELECT '**ACTUAL SIZE/100%**', INSTEAD OF 'FIT TO PAGE'

© ACEVILLE PUBLICATIONS LTD | SEWMAG.CO.UK

All projects, templates and patterns are for personal home use only and cannot be sold or used for commercial purposes.

sew
sewmag.co.uk

PATTERN LAYOUT

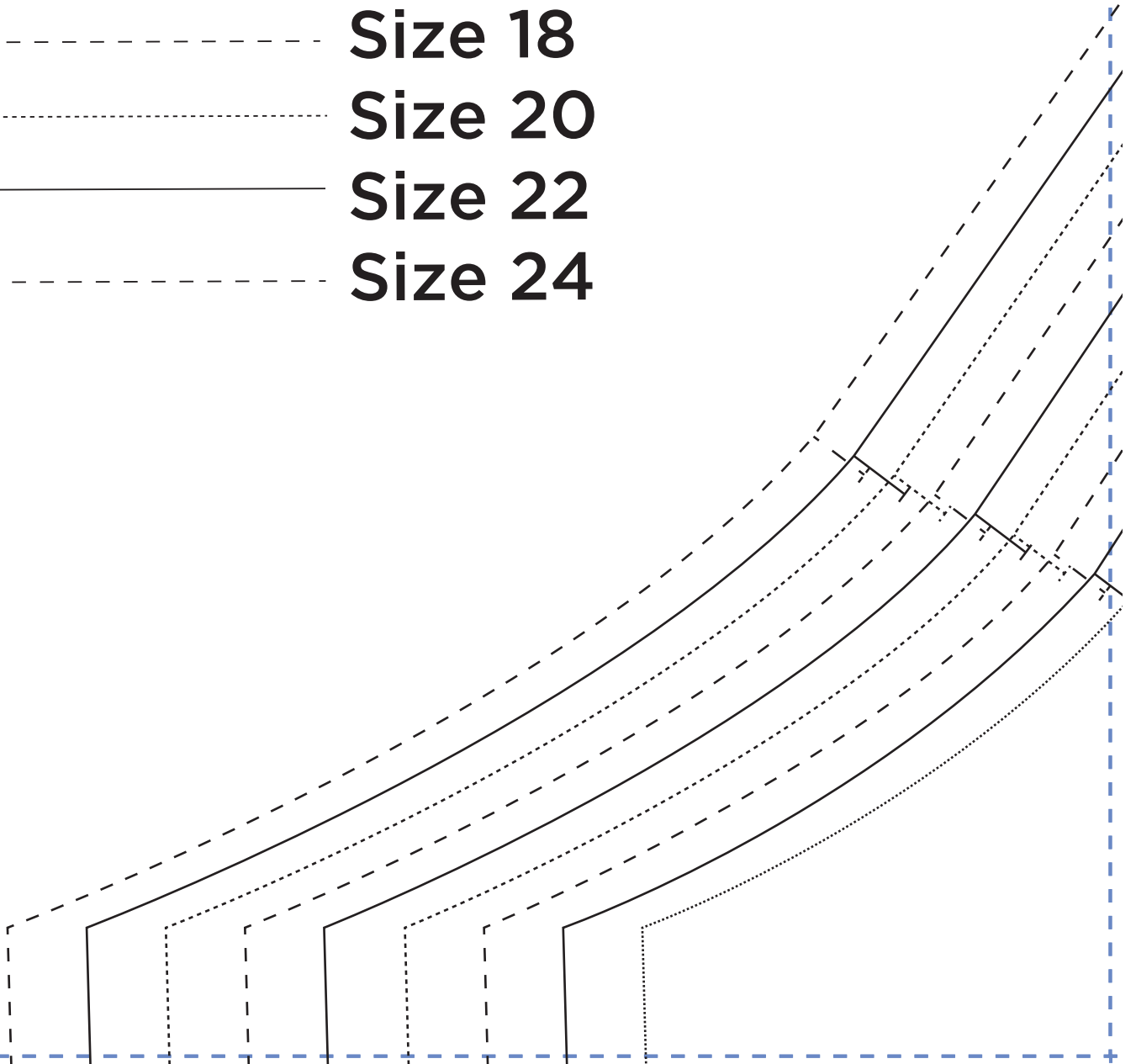


YOUR SIZING CHART

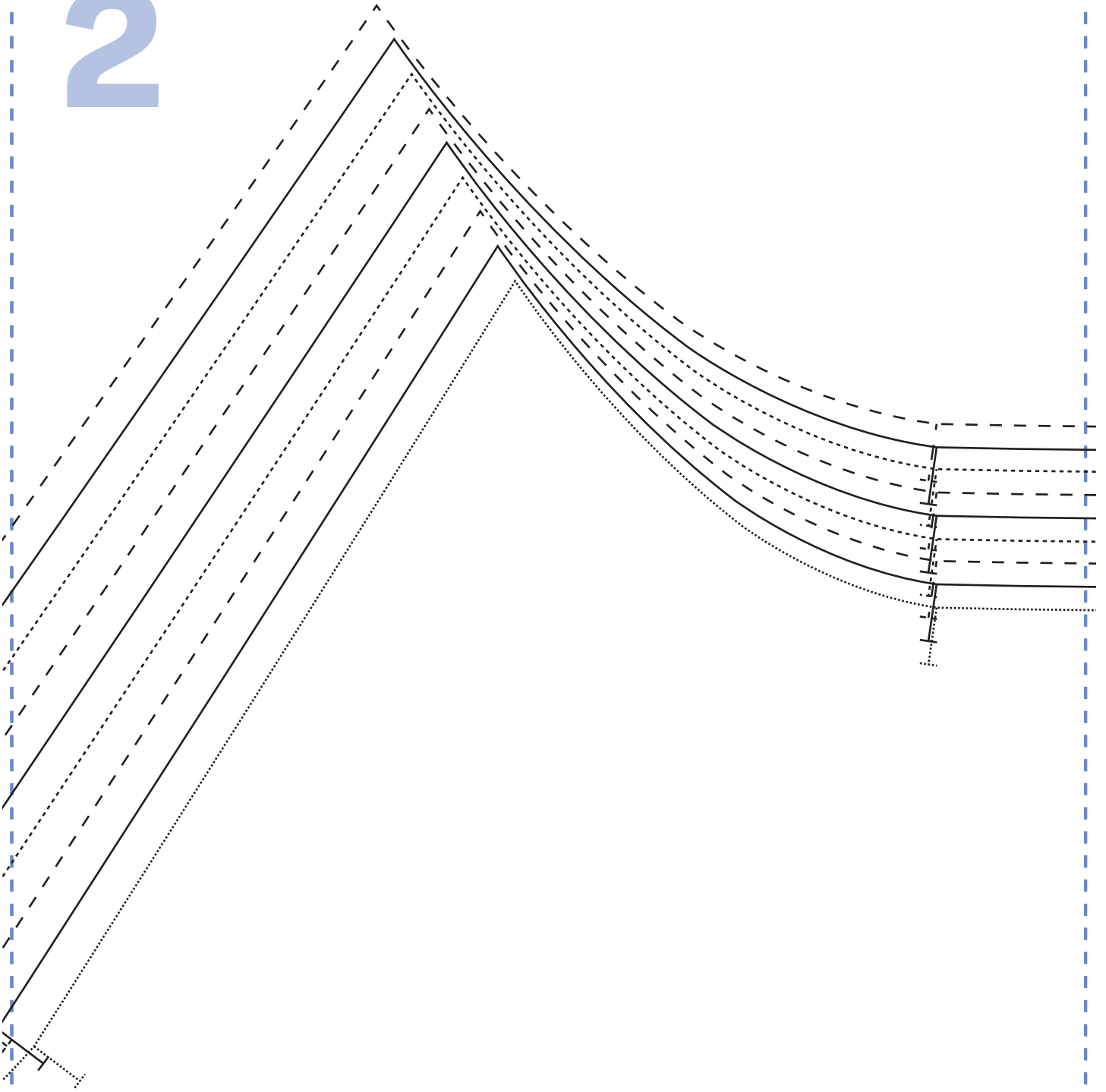
	8	10	12	14	16	18	20	22	24
Bust cm	78	83	88	93	98	103	108	113	118
Waist cm	59	64	69	74	79	84	89	94	99
Hip cm	85	88	93	98	103	108	113	118	123
Back neck to waist	39	40	41	42	43	44	45	46	47

1

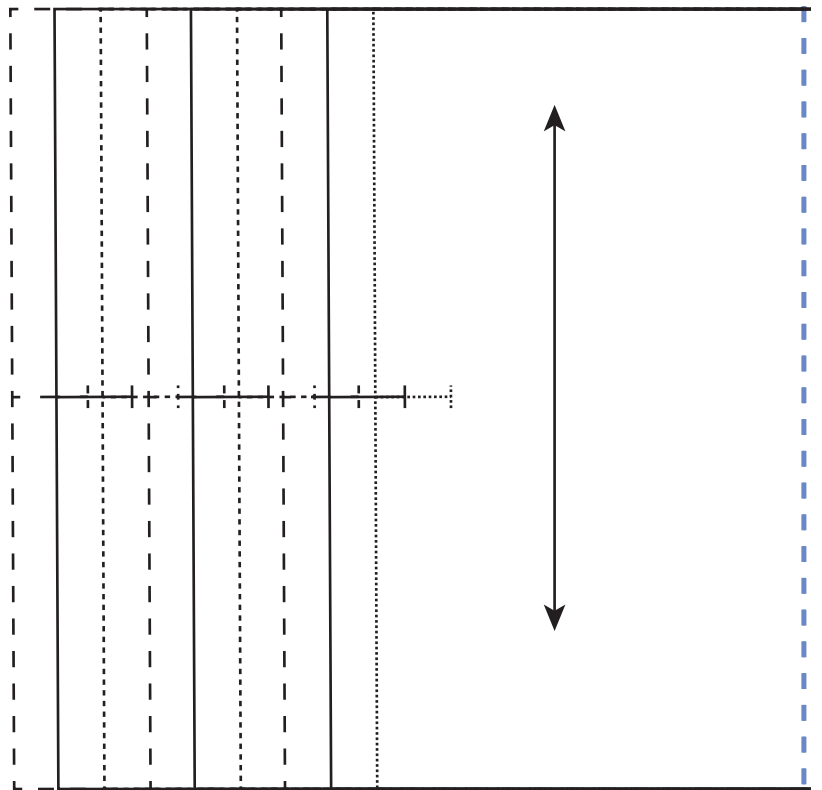
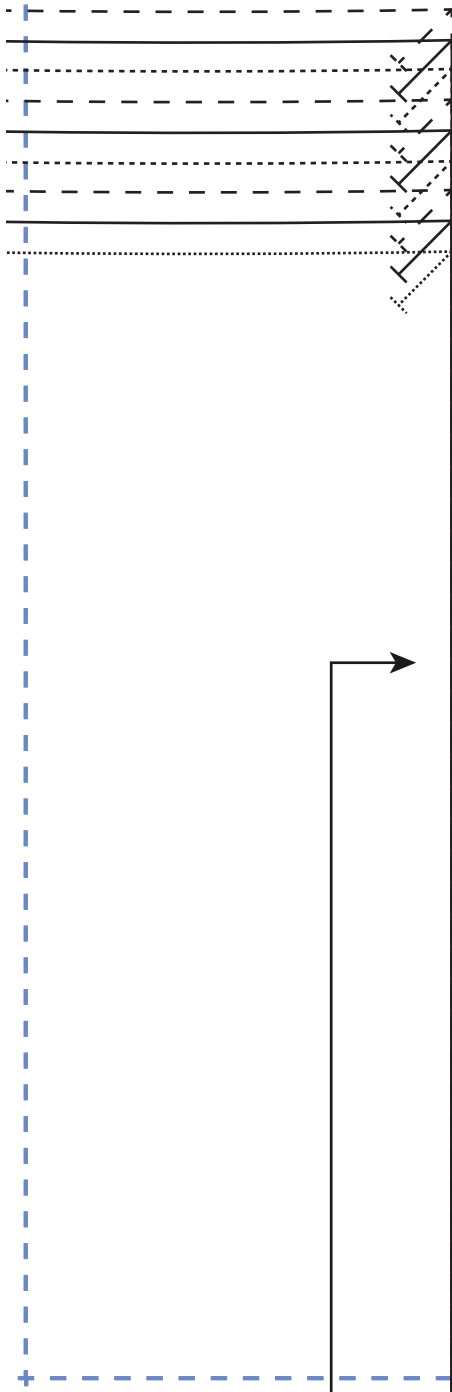
- Size 8
- _____ Size 10
- - - - - Size 12
- Size 14
- _____ Size 16
- - - - - Size 18
- Size 20
- _____ Size 22
- - - - - Size 24



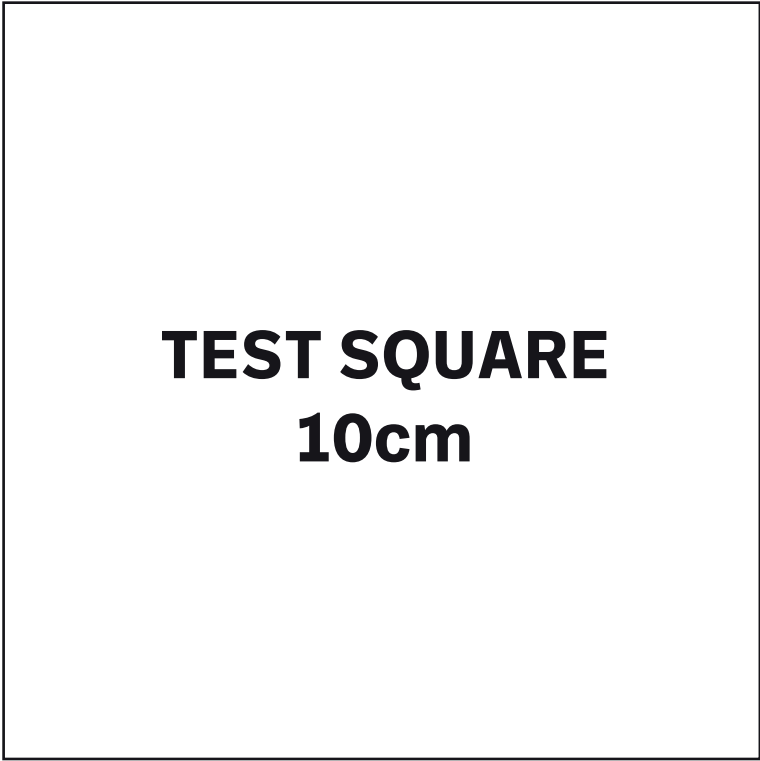
2



3



4

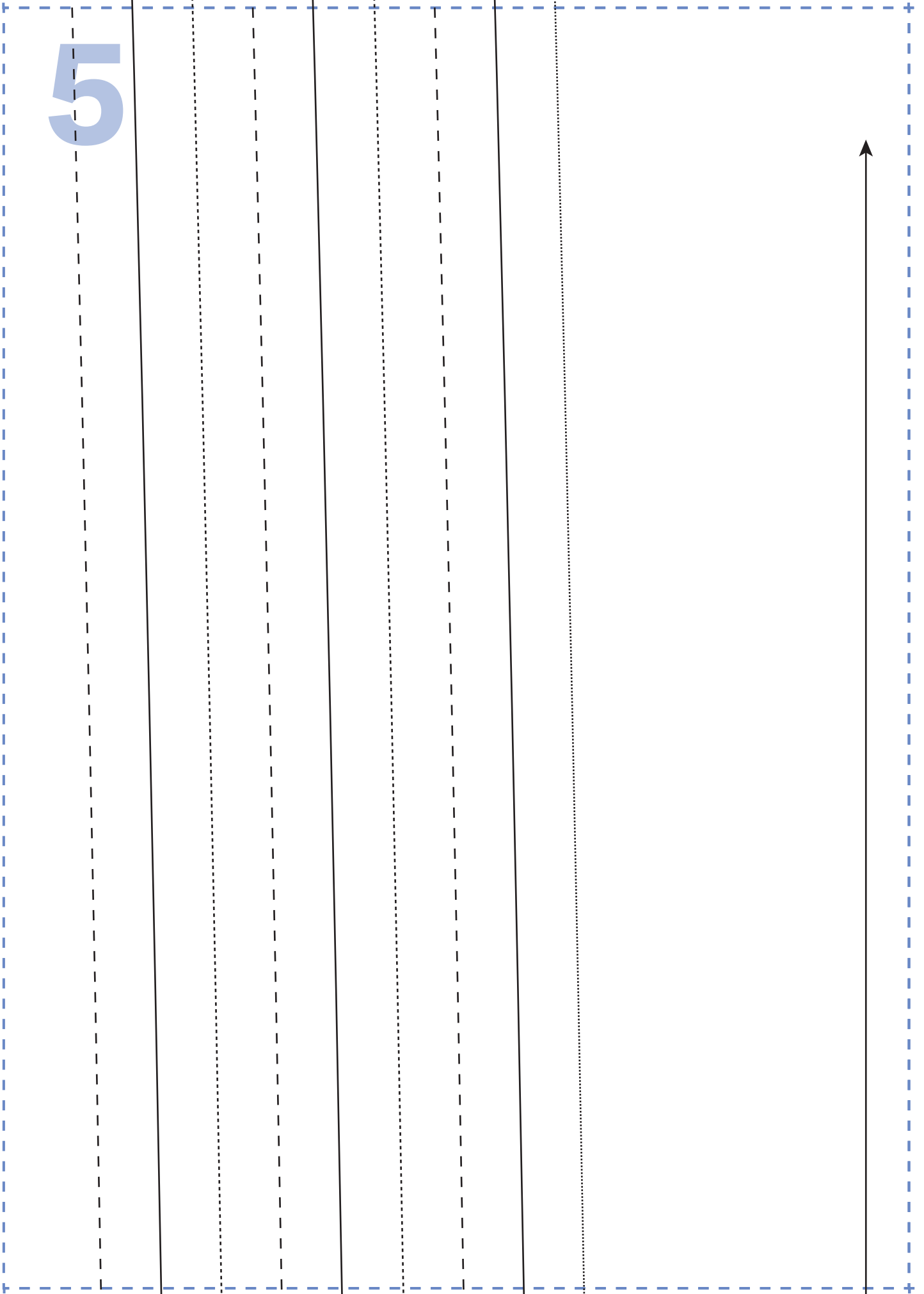


sew
HARPER BLOUSE

CUFF

CUT TWO IN FABRIC, AND TWO
IN FUSIBLE INTERFACING

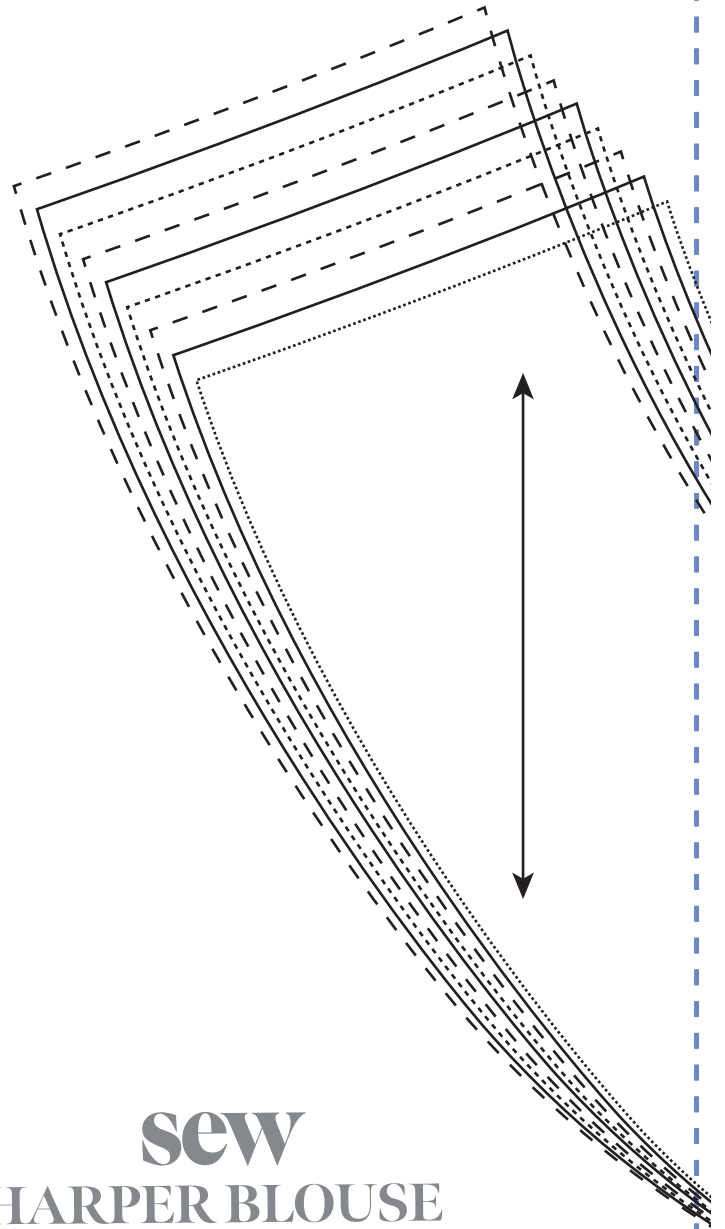
5



6

sew
HARPER BLOUSE
FRONT
CUT ONE ON THE FOLD

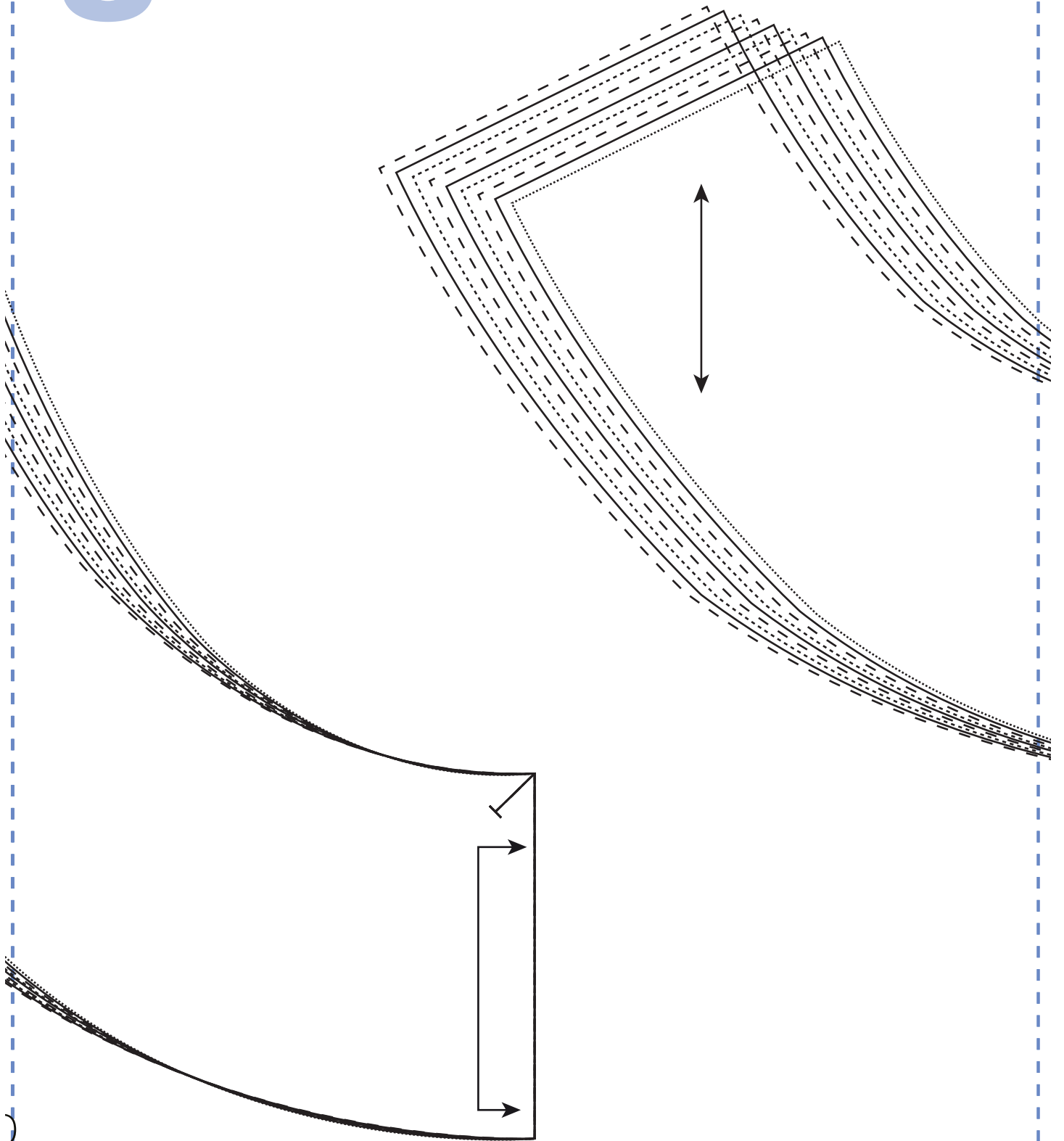
7



sew
HARPER BLOUSE
FRONT NECKBAND

CUT TWO ON THE FOLD
IN FABRIC, AND ONE ON THE FOLD
IN FUSIBLE INTERFACING

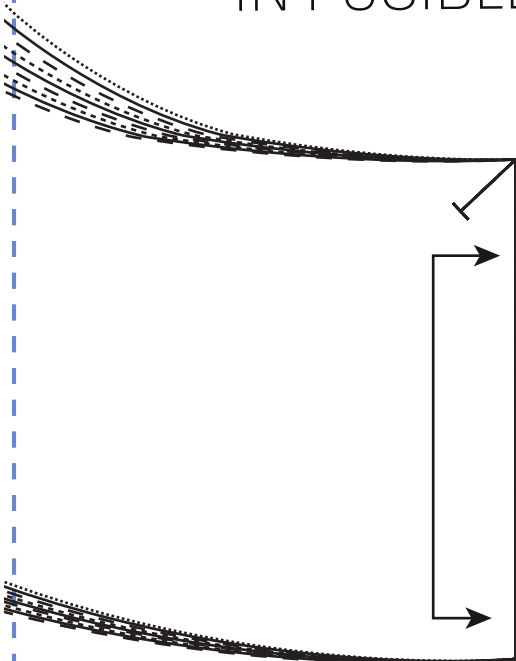
8



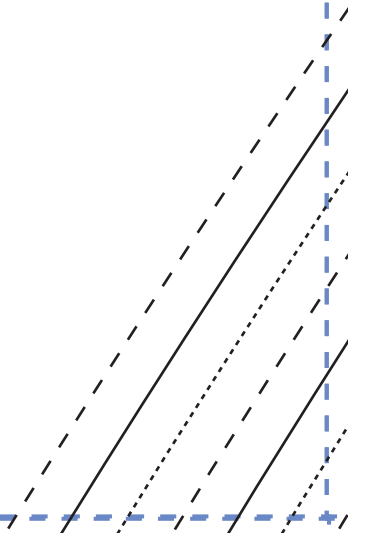
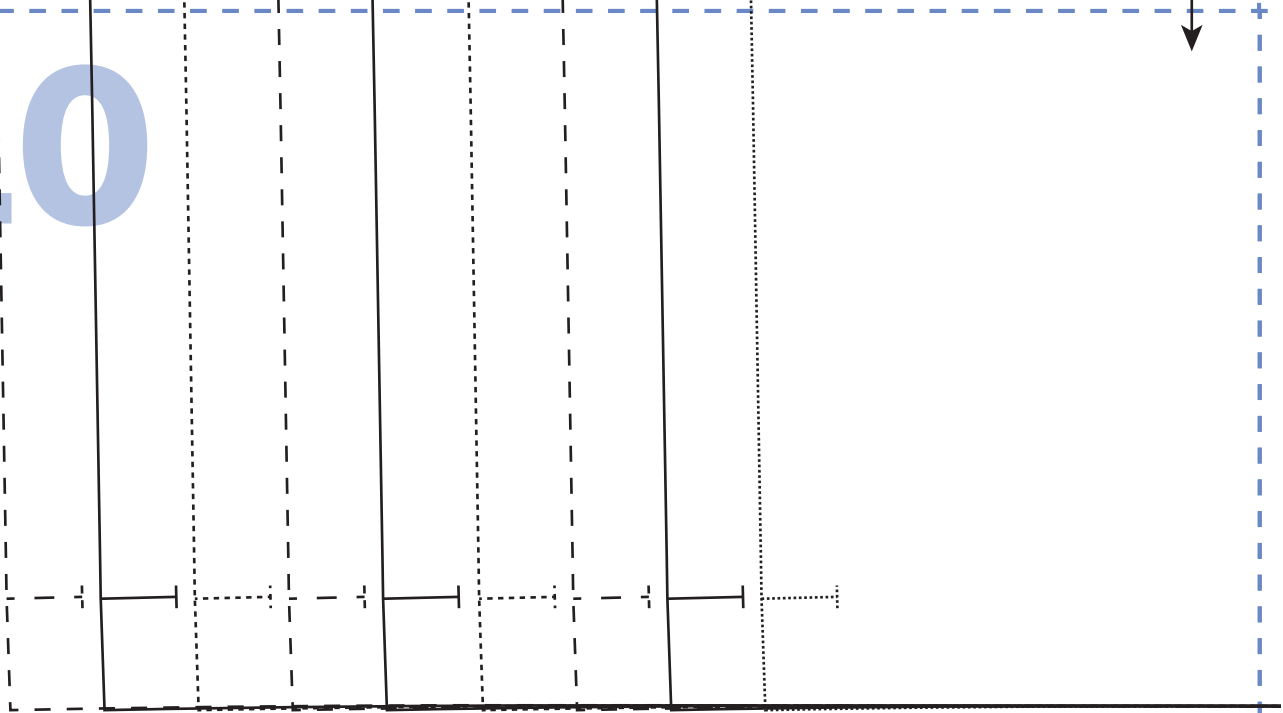
9

sew
HARPER BLOUSE
BACK NECKBAND

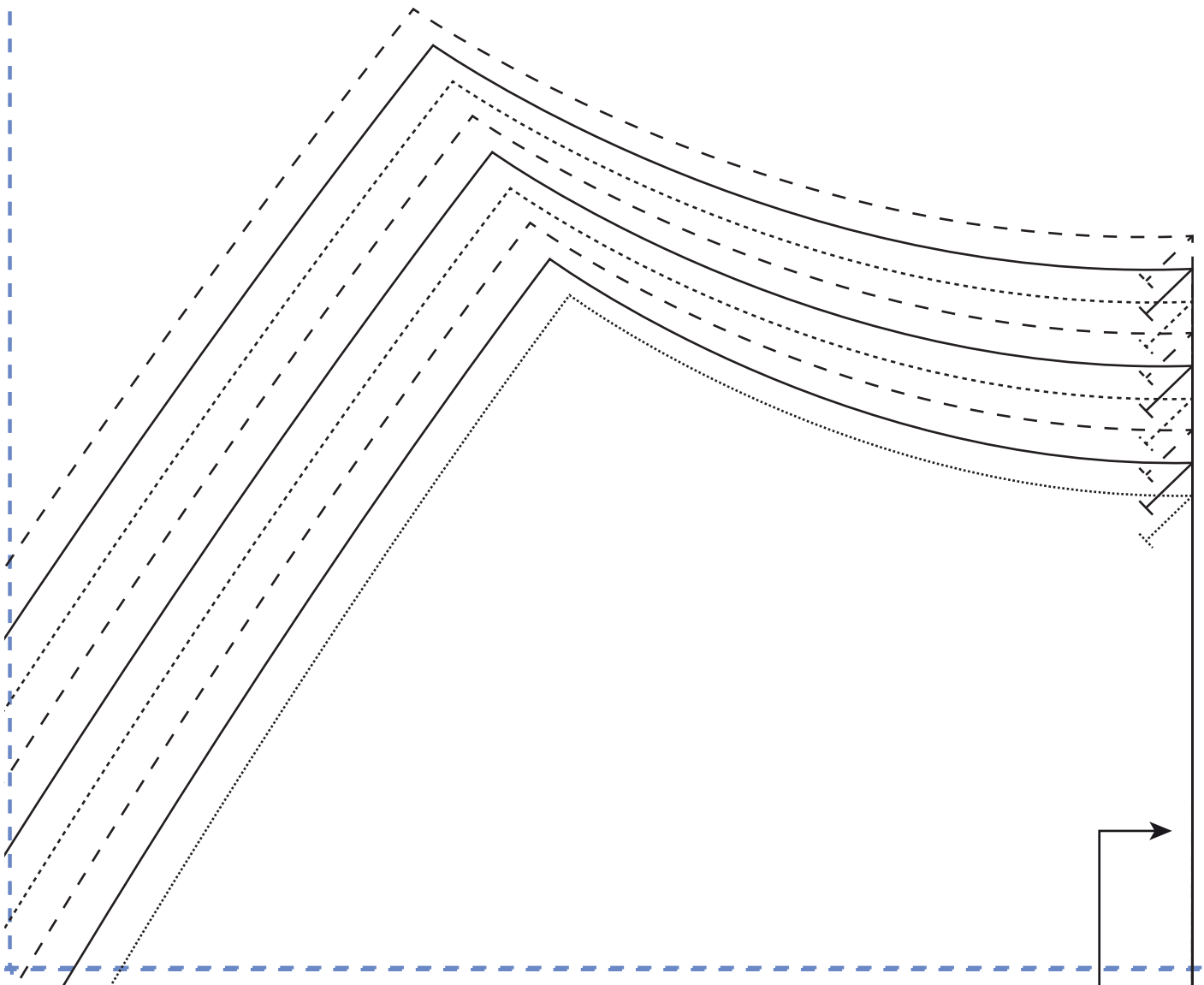
CUT TWO ON THE FOLD
IN FABRIC, AND ONE ON THE FOLD
IN FUSIBLE INTERFACING



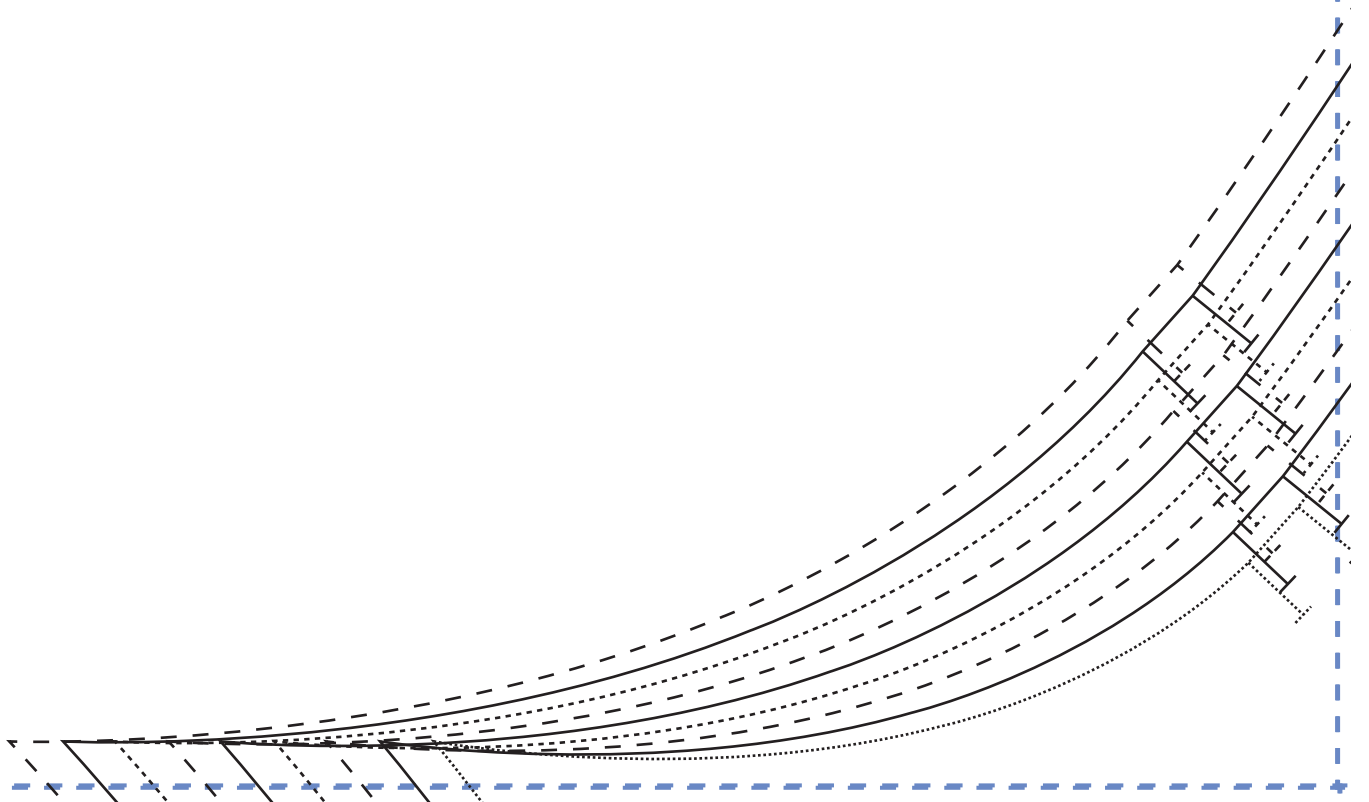
10



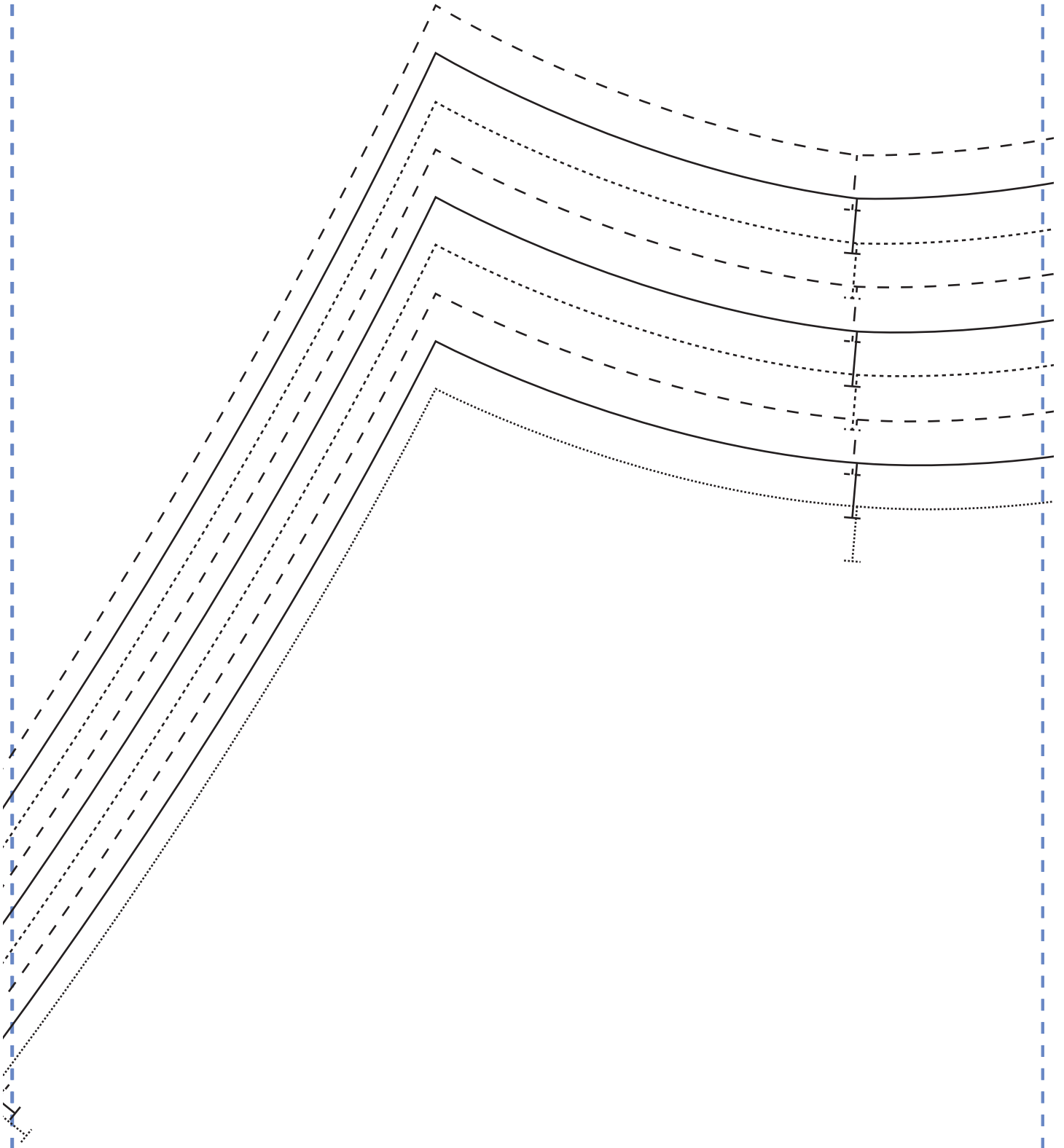
11



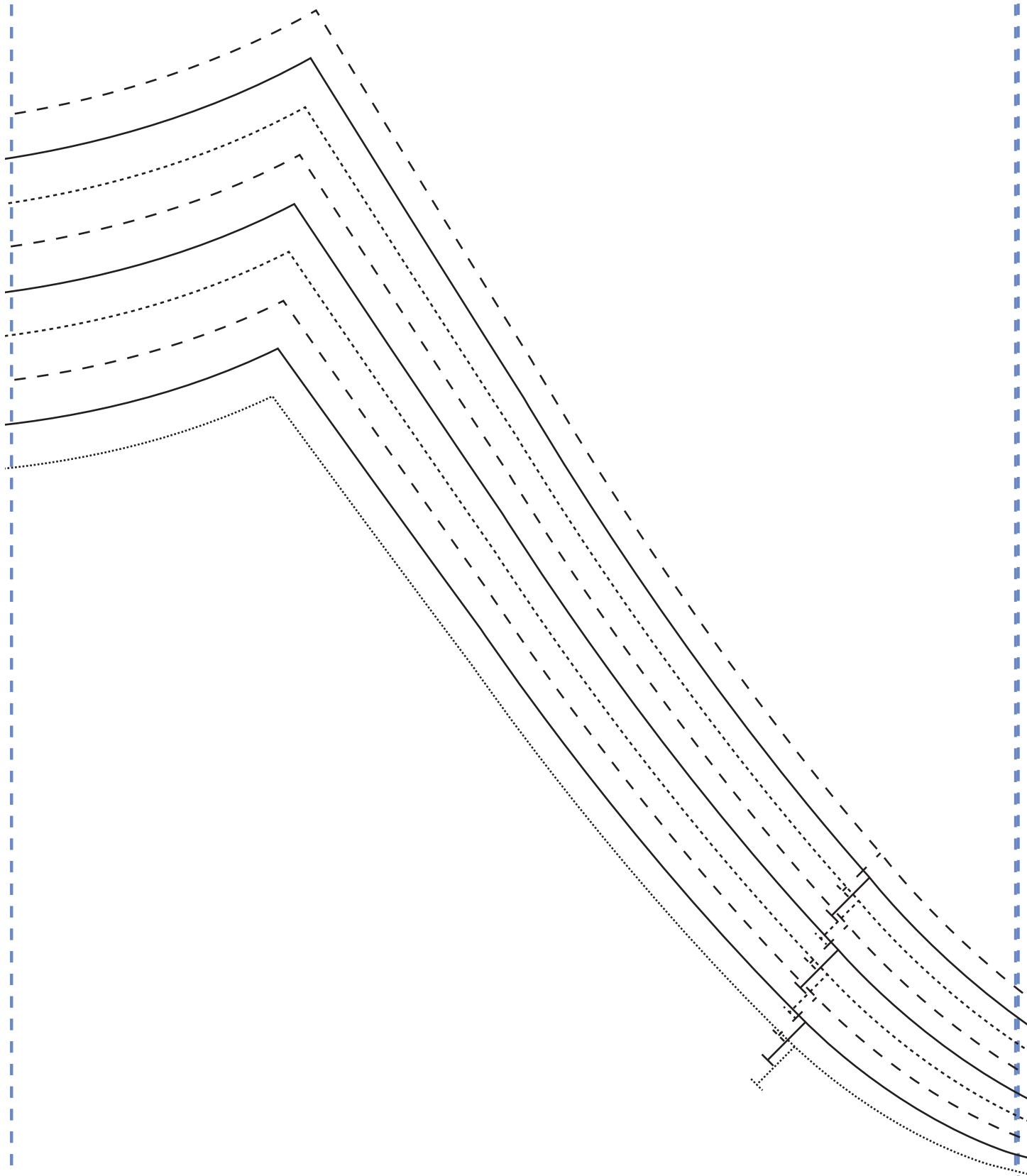
12



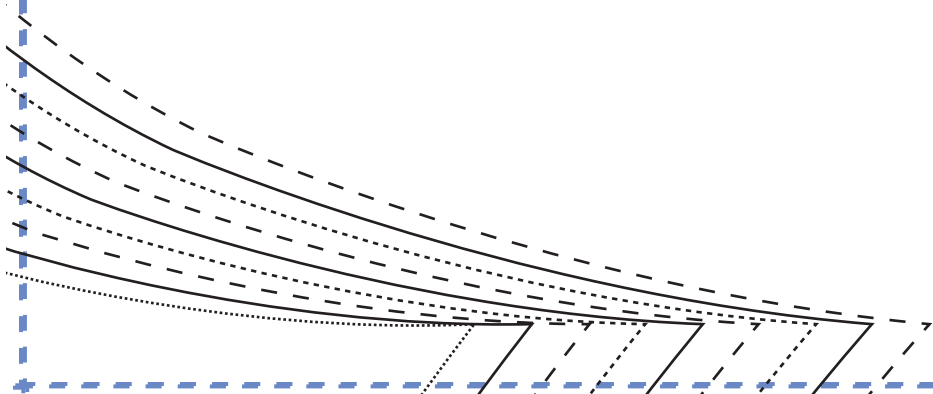
13



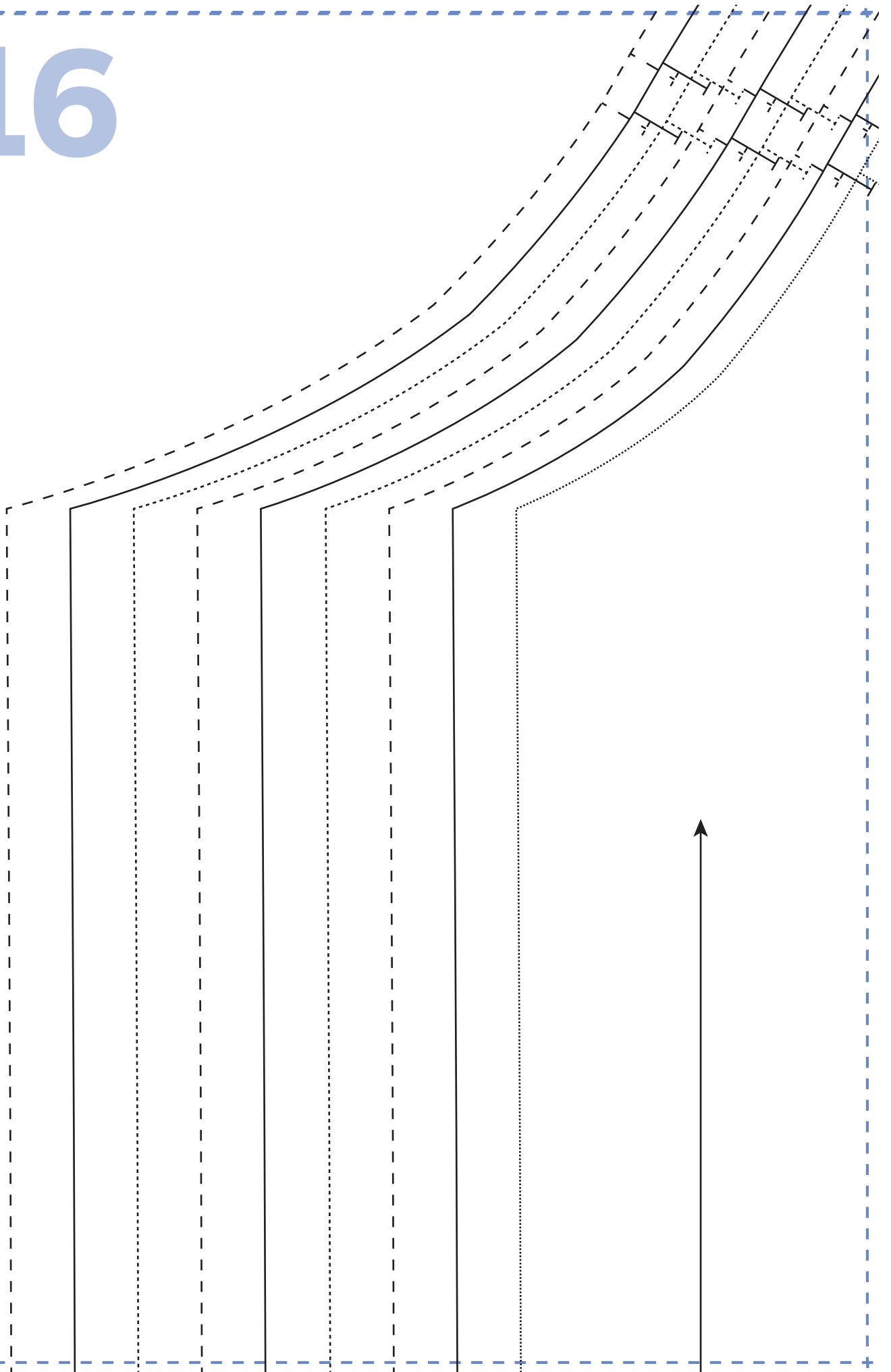
14



15



16

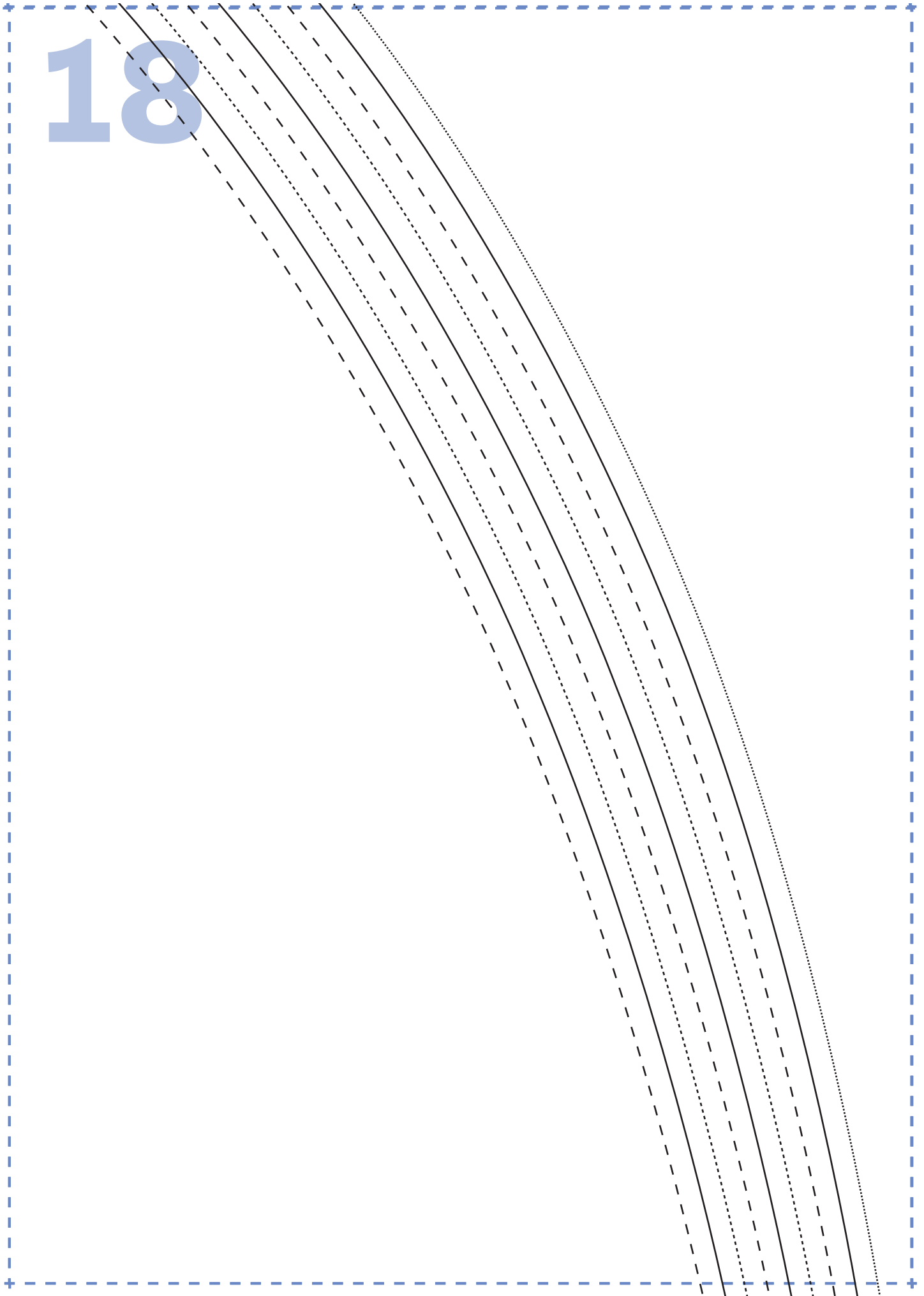




17

sew
HARPER BLOUSE
BACK
CUT ONE ON THE FOLD

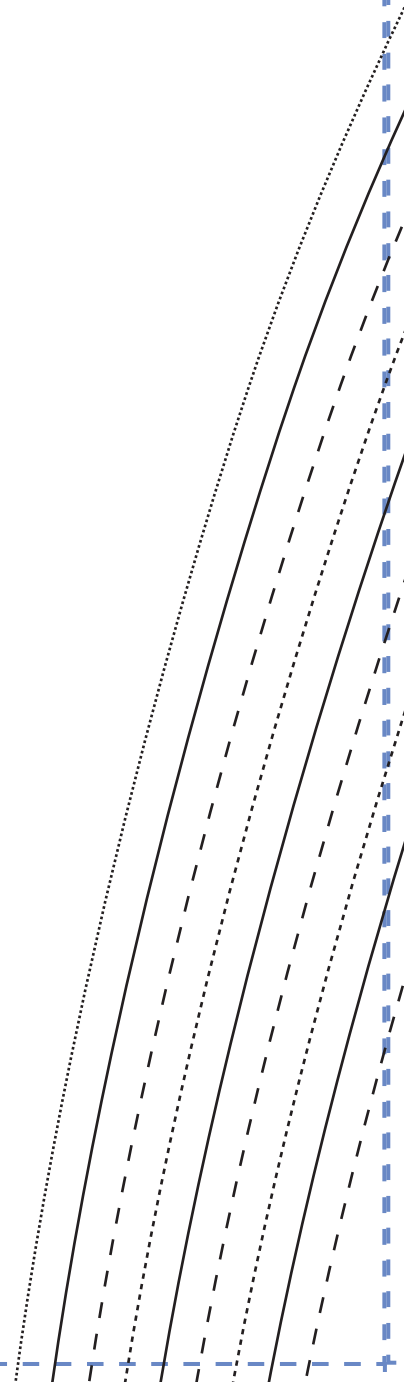
18



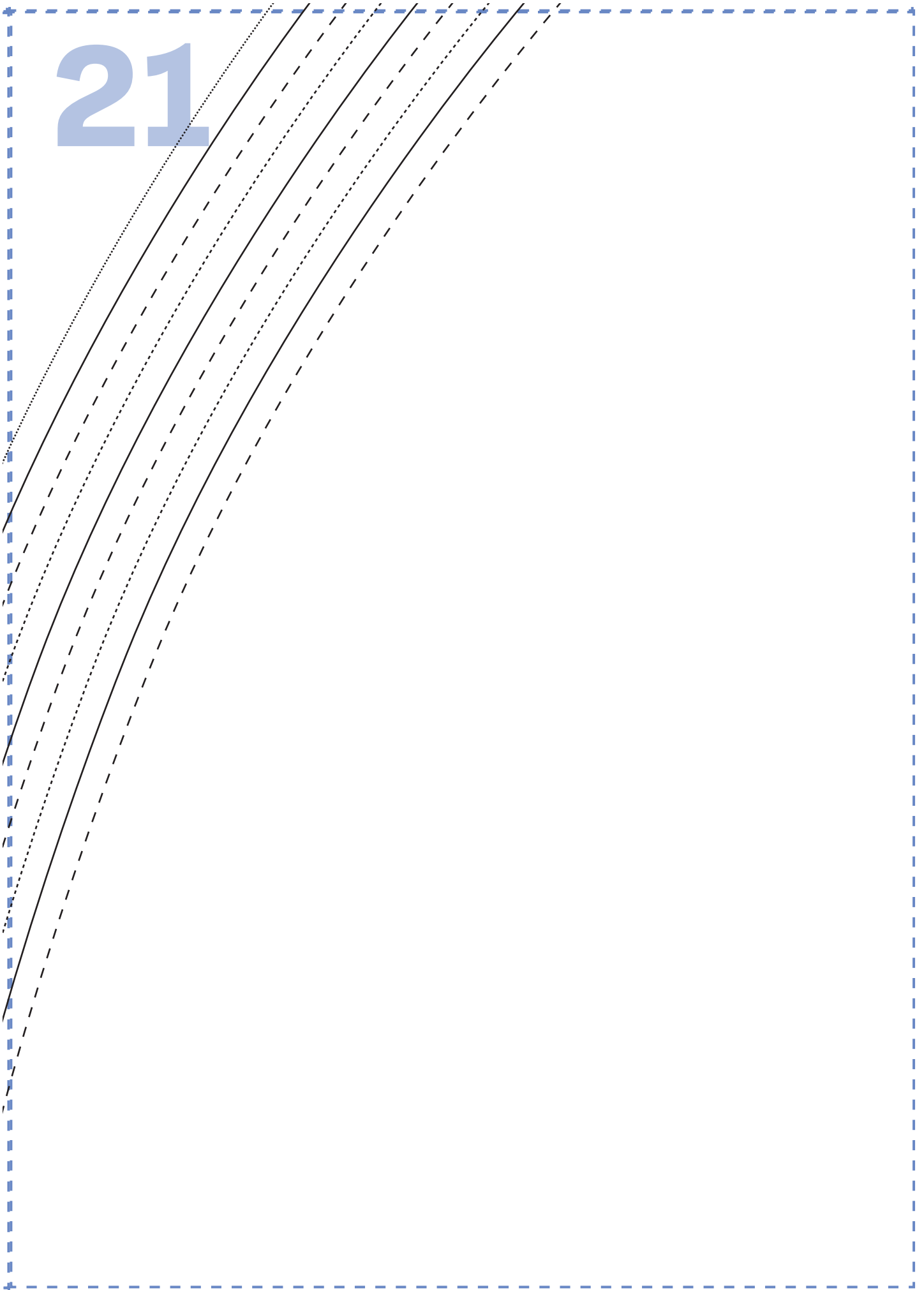
19

sew
HARPER BLOUSE
SLEEVE
CUT ONE PAIR

20



21



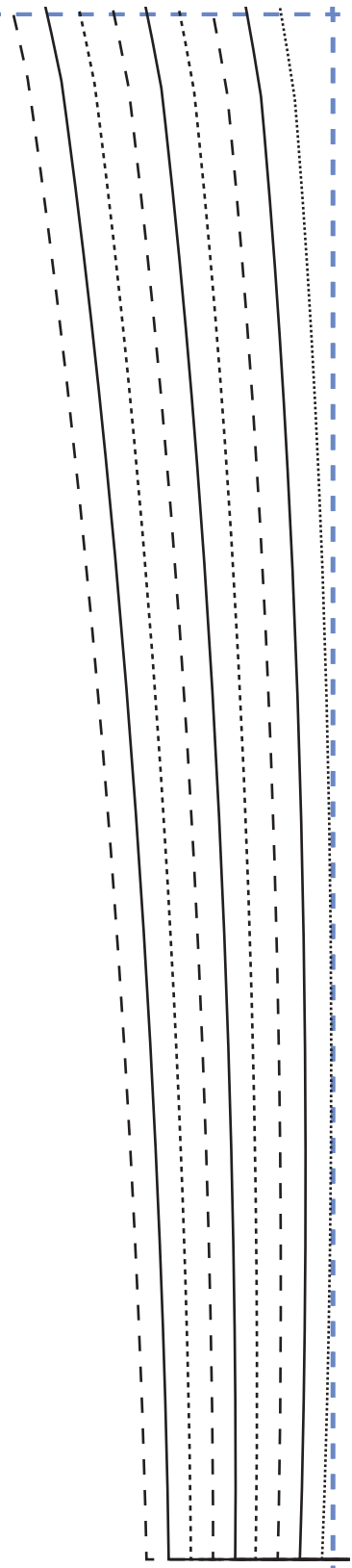
22



23



24



25



26

