

# sew

Issue 111 June 2018

# CLARA DRESS PATTERN

Use these guides to get started today

PRINT  
OUT  
& KEEP

IN YOUR PRINT MENU, UNDER SIZE OPTIONS, BE SURE TO SELECT TO PRINT 'ACTUAL SIZE', INSTEAD OF 'FIT TO PAGE'

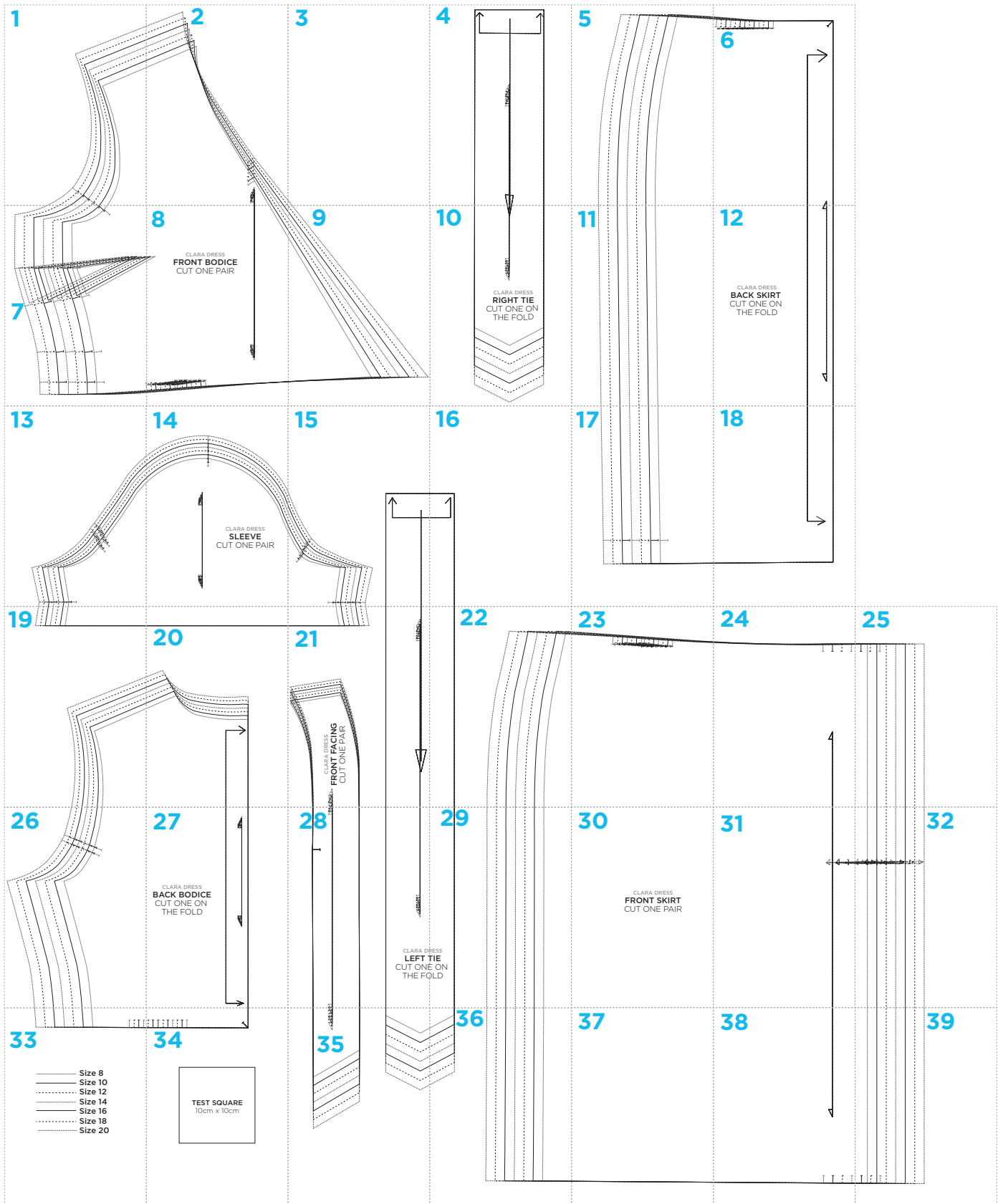
**Title:** Clara dress  
**Designer:** Amanda Walker  
**Magazine page:** 22



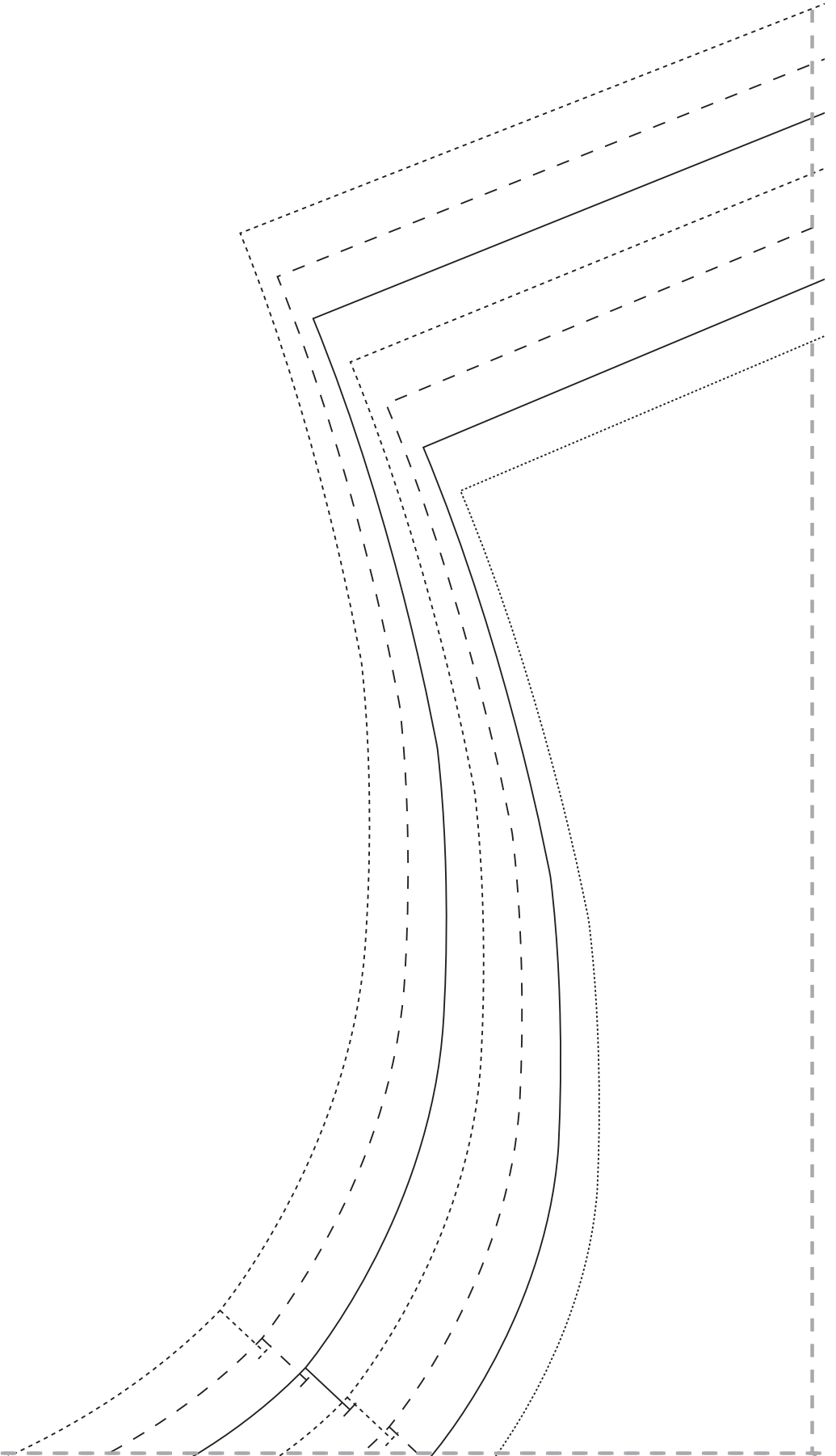
© ACEVILLE PUBLICATIONS LTD | SEWMAG.CO.UK

All projects, templates and patterns are for personal home use only and cannot be sold or used for commercial purposes.

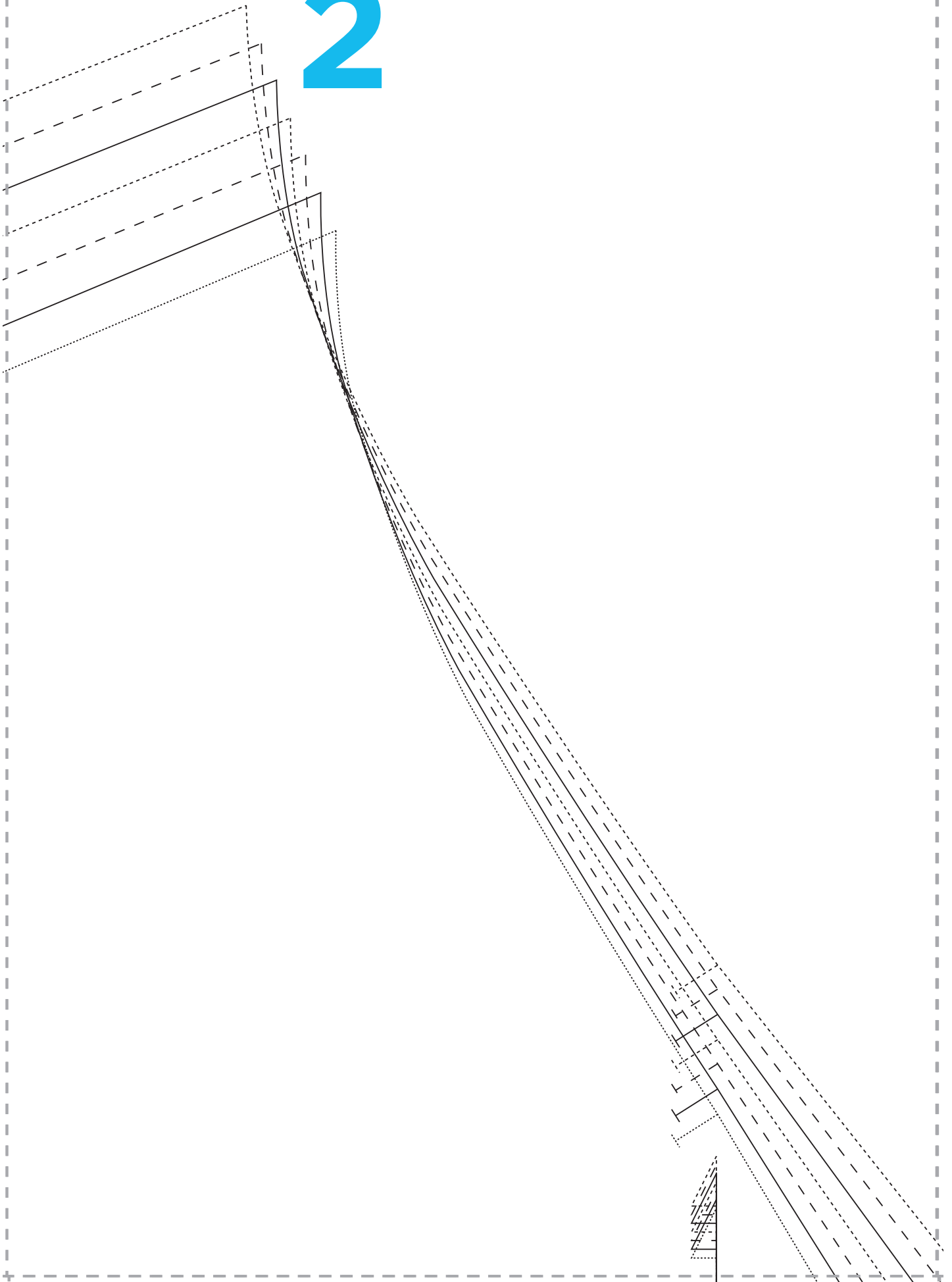
# CLARA DRESS PATTERN LAYOUT



1

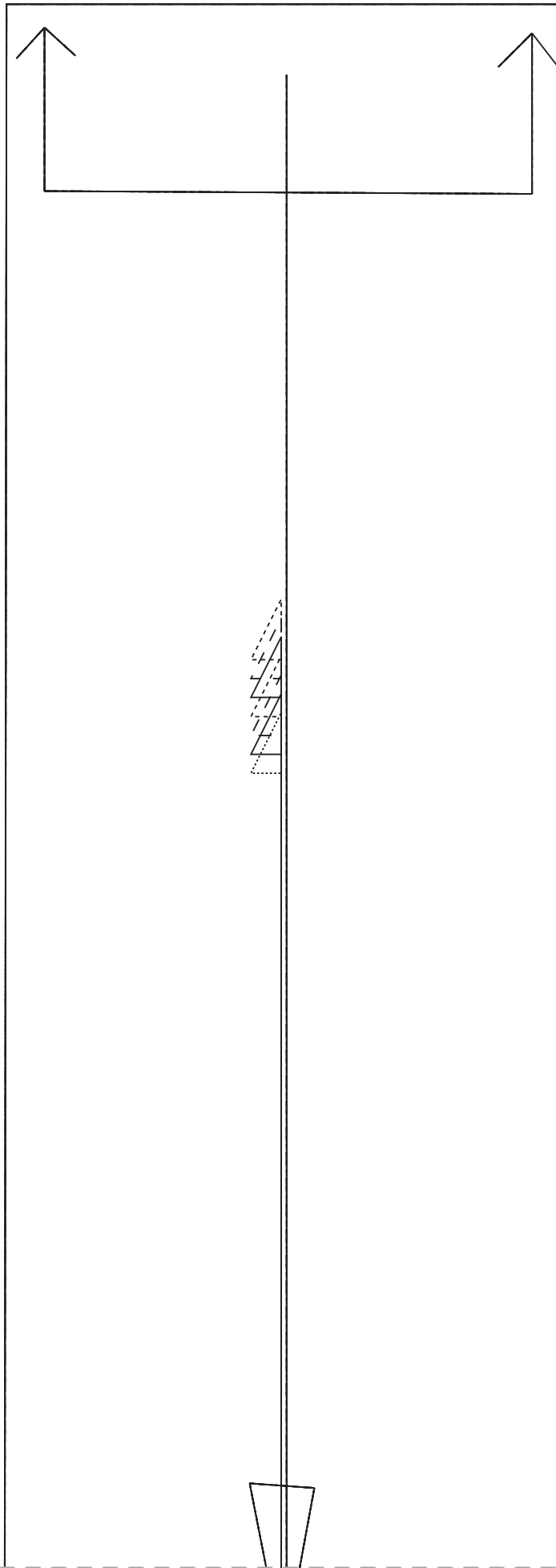


2

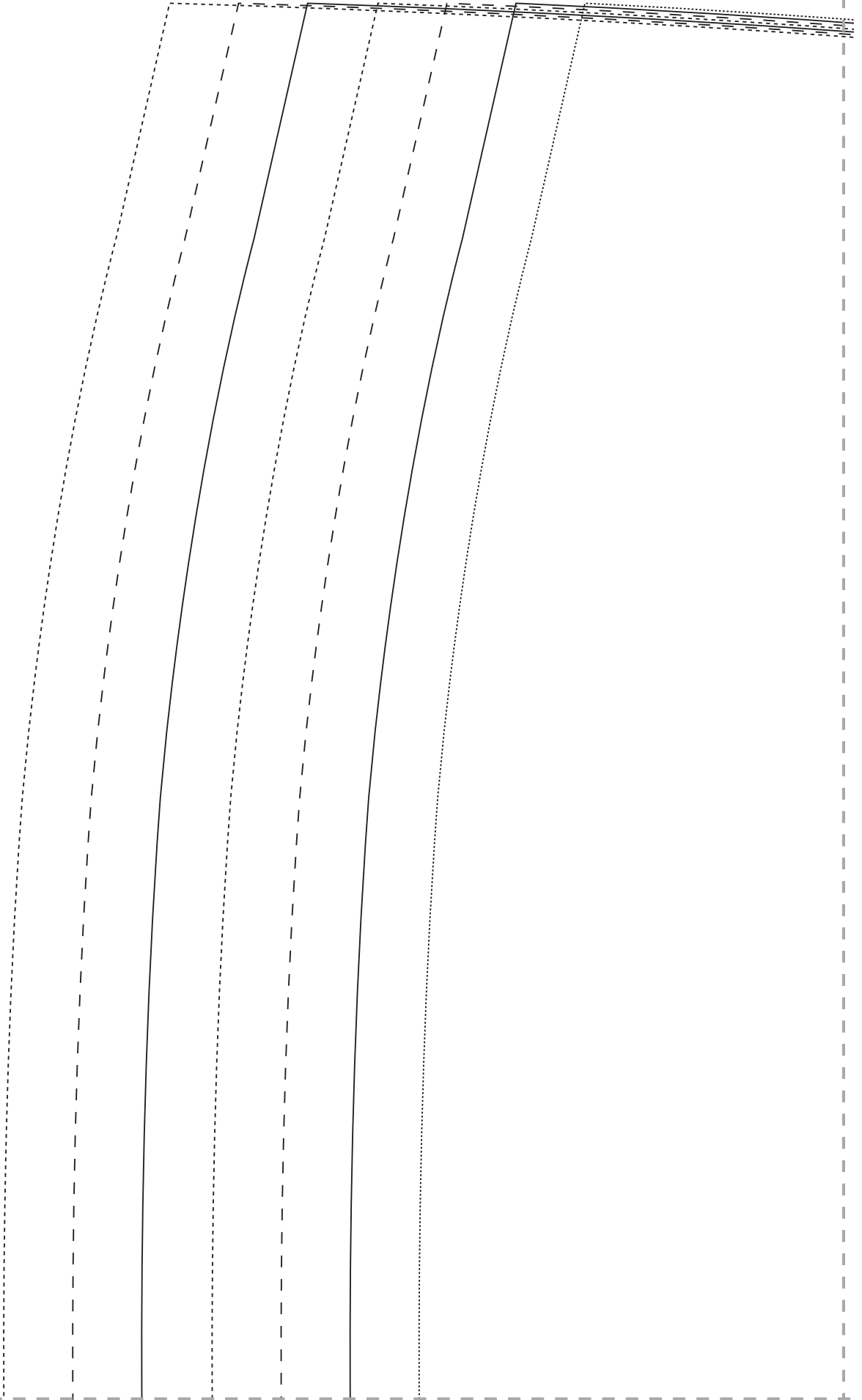


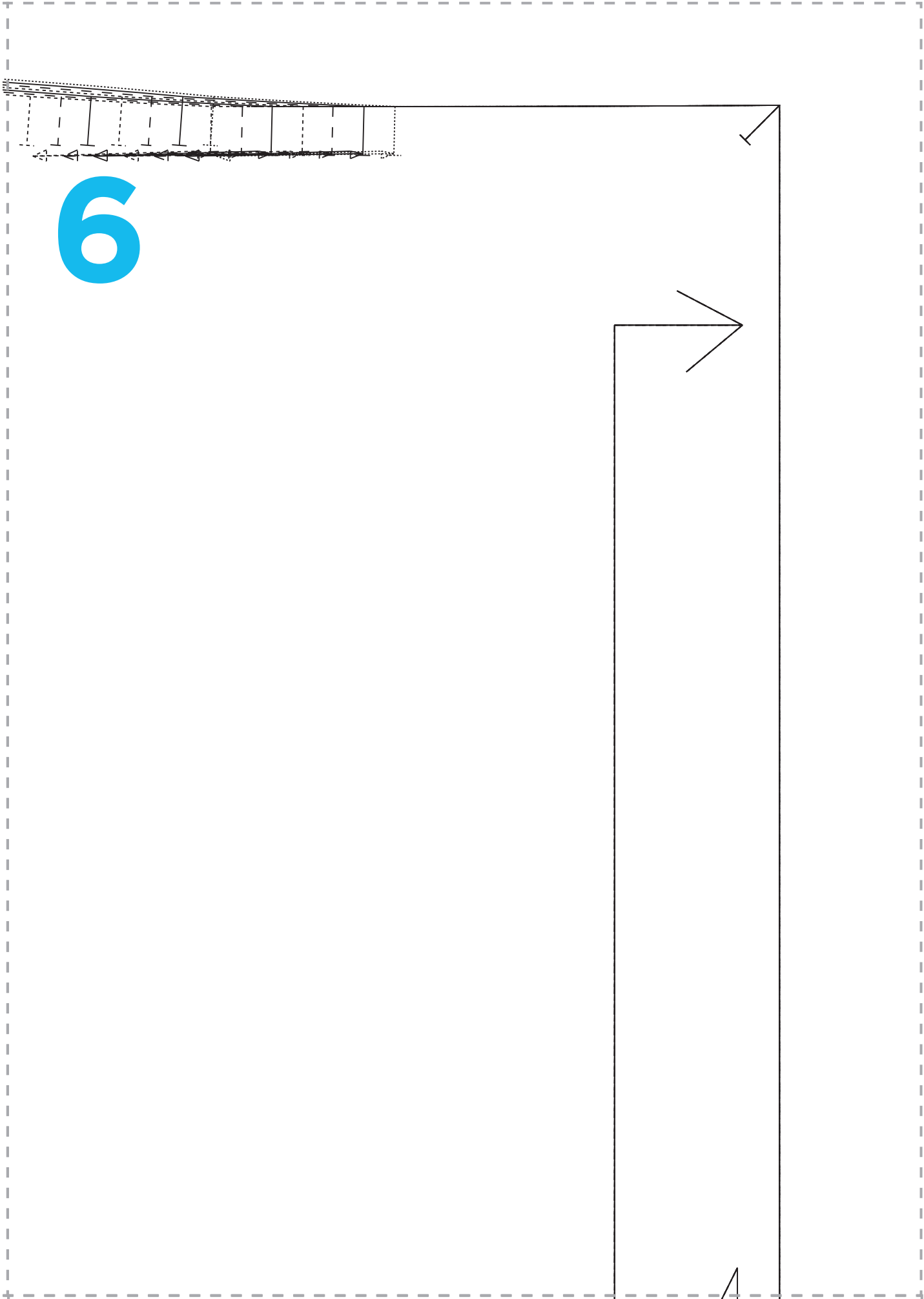
3

4



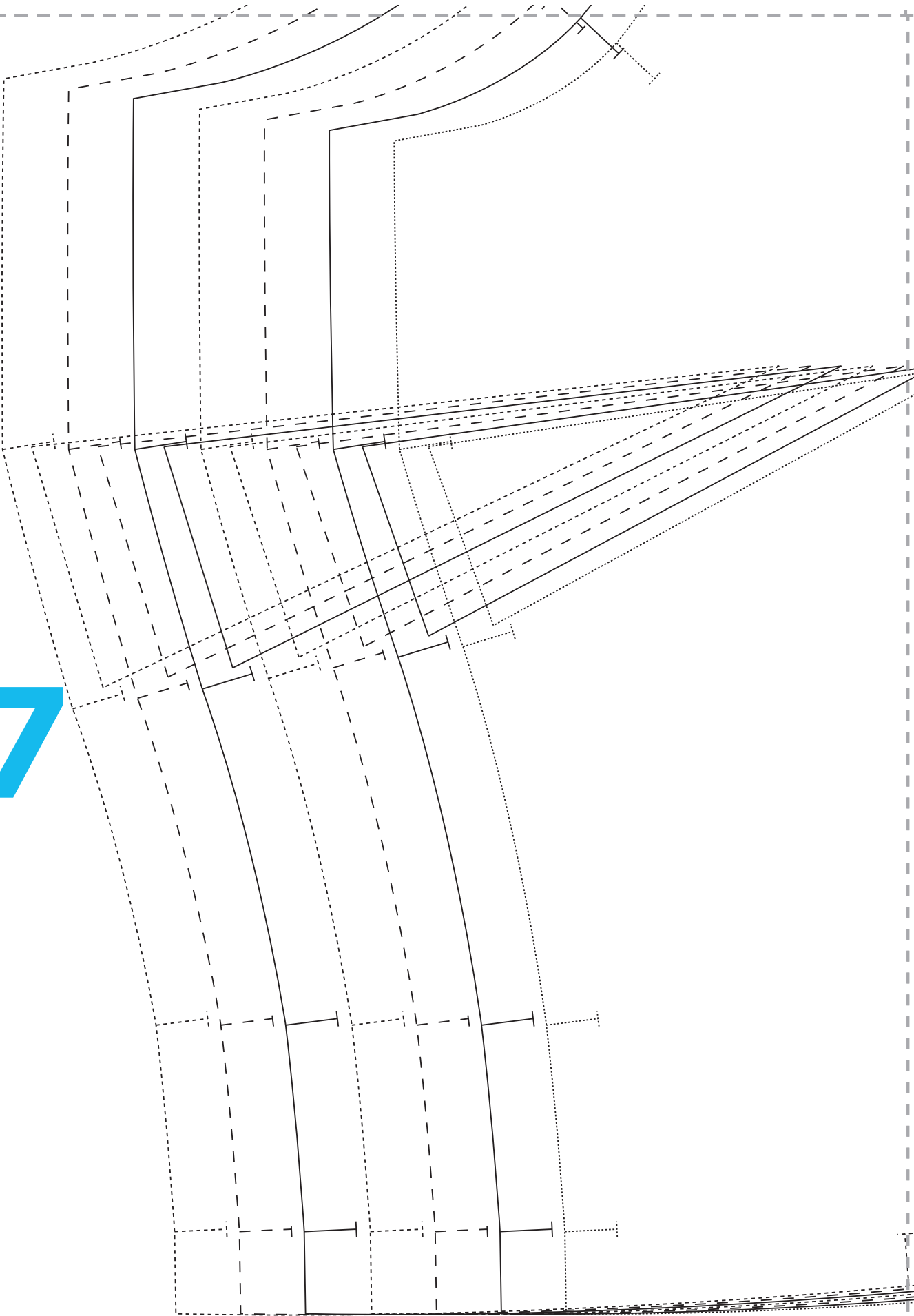
5





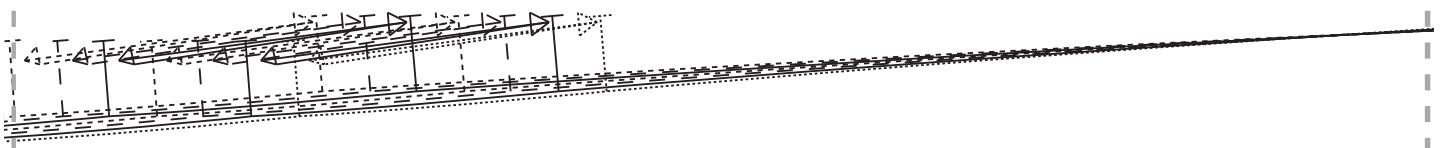
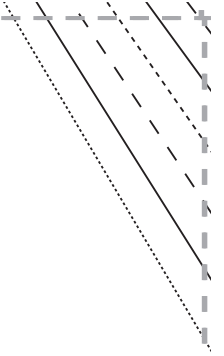


7

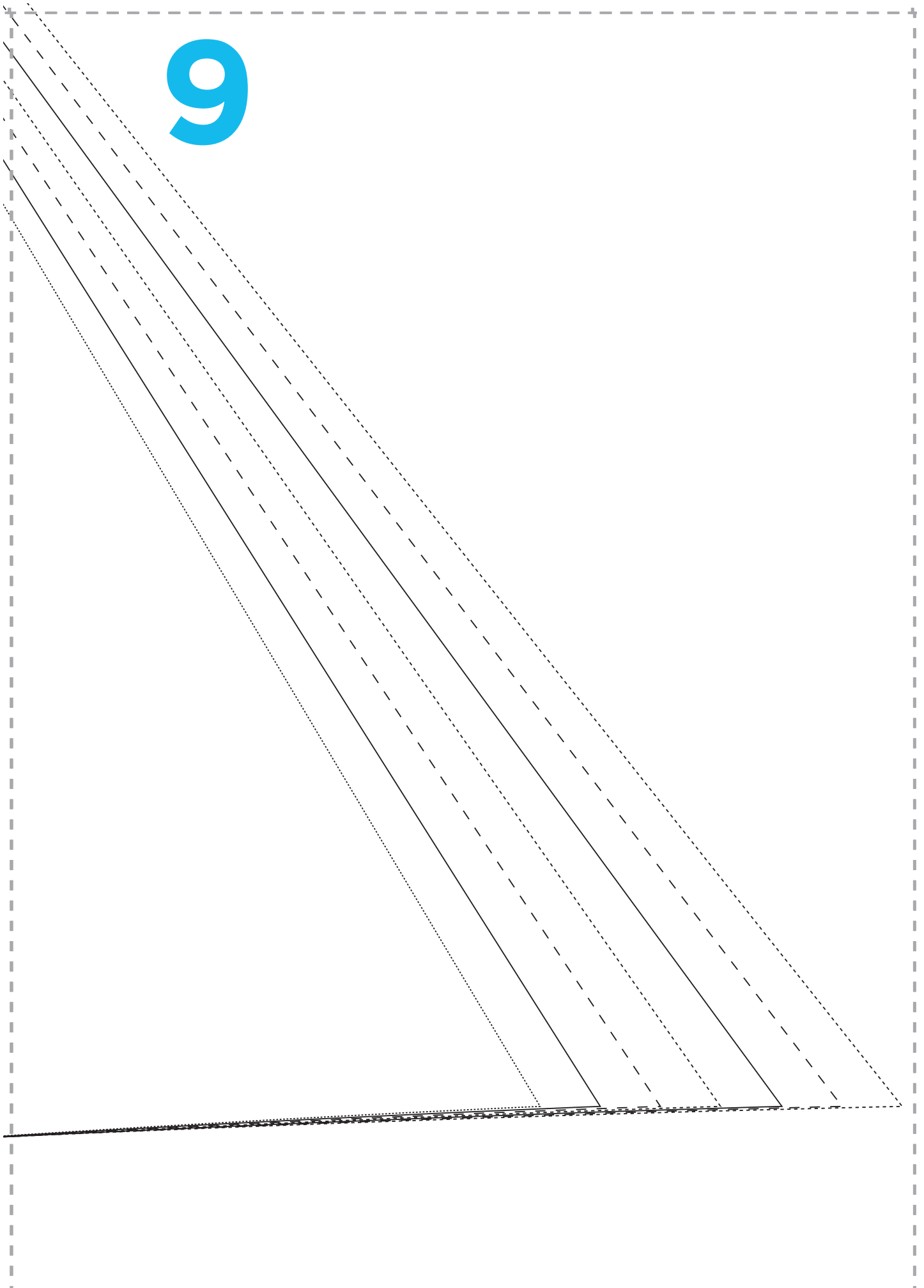


8

CLARA DRESS  
**FRONT BODICE**  
CUT ONE PAIR



9



10



CLARA DRESS  
**RIGHT TIE**  
CUT ONE ON  
THE FOLD

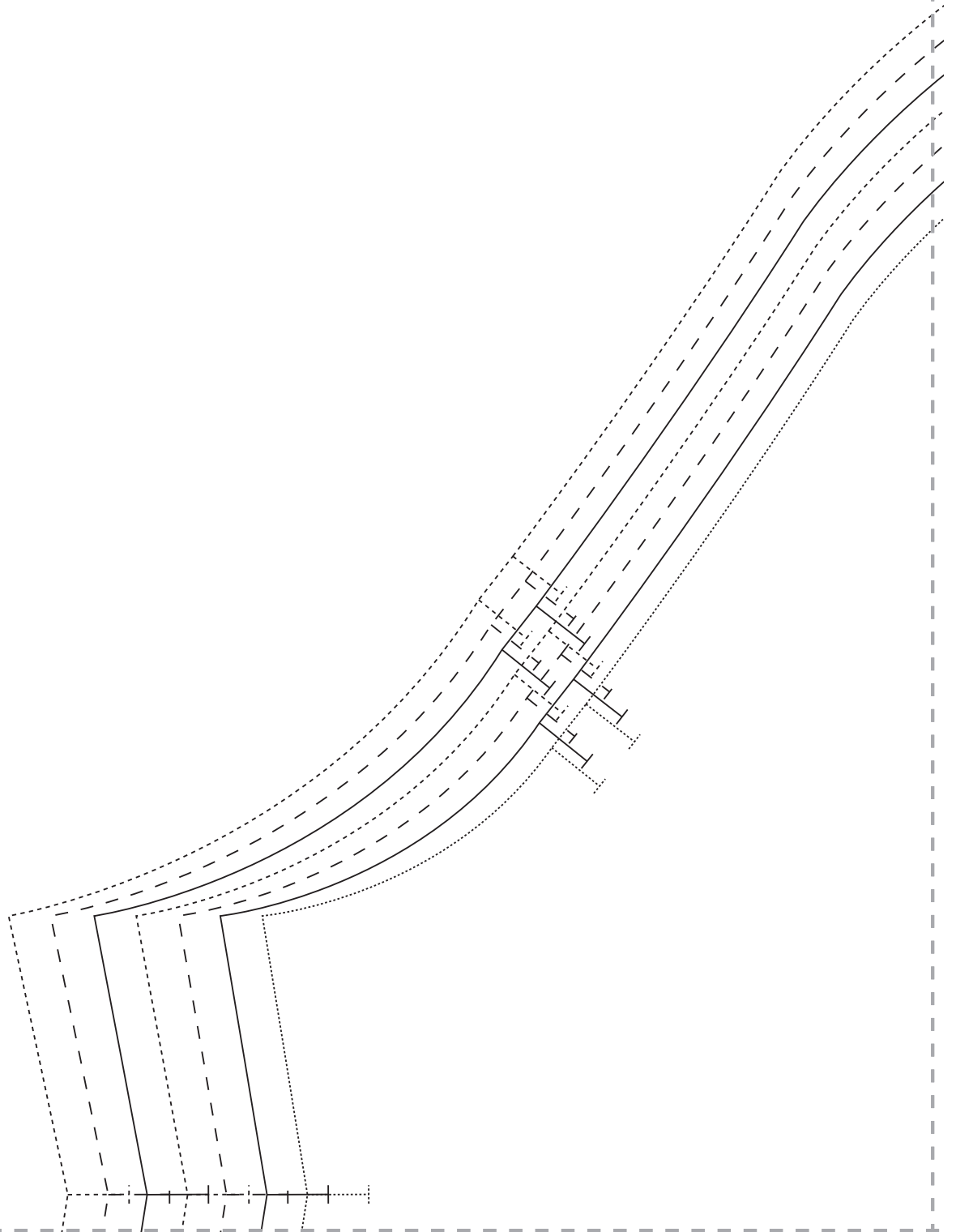
11

12

CLARA DRESS  
**BACK SKIRT**  
CUT ONE ON  
THE FOLD



# 13



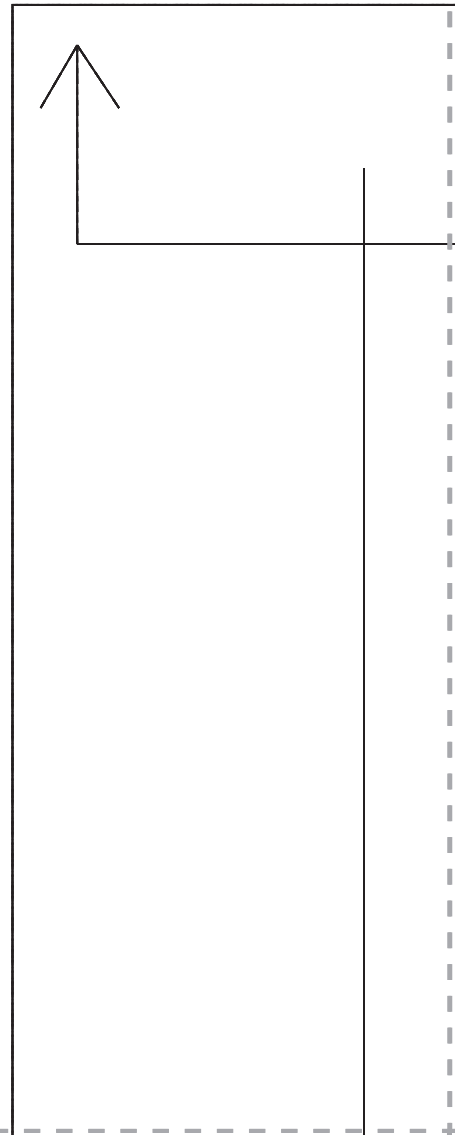
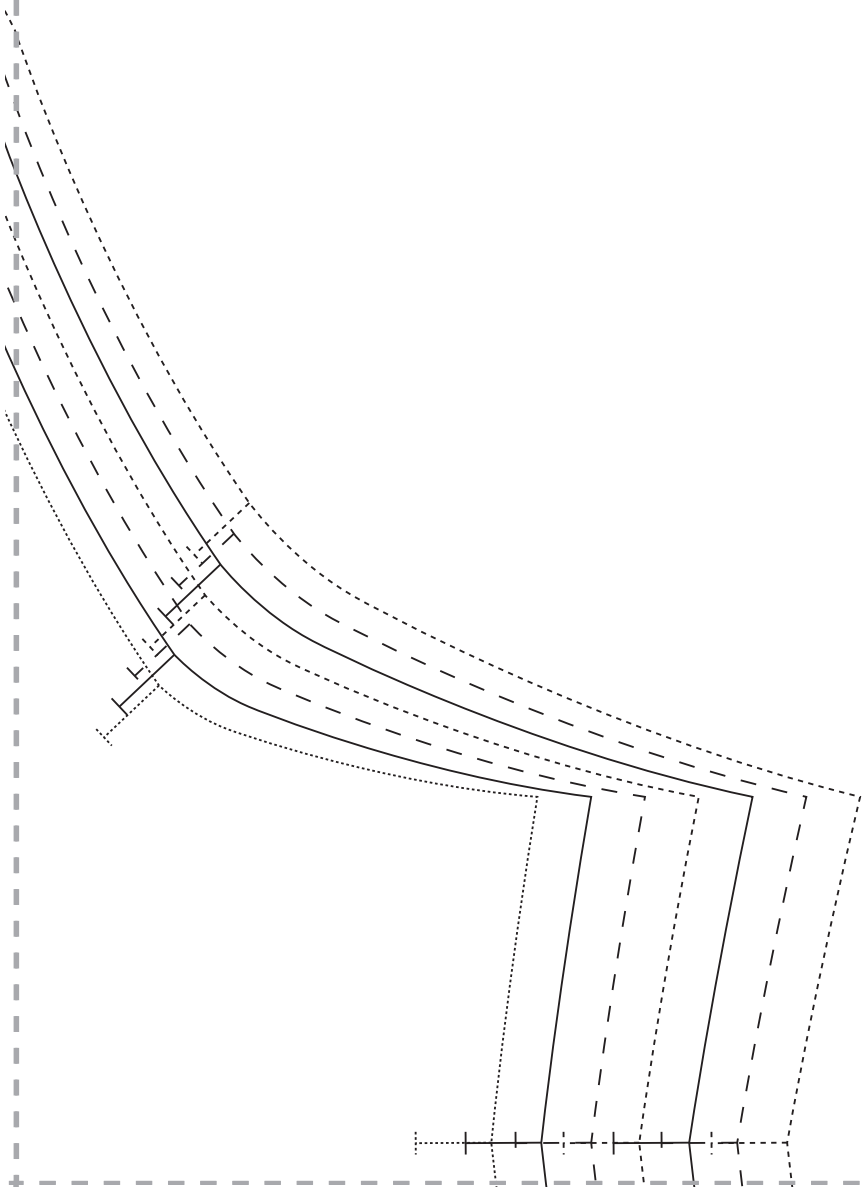
14



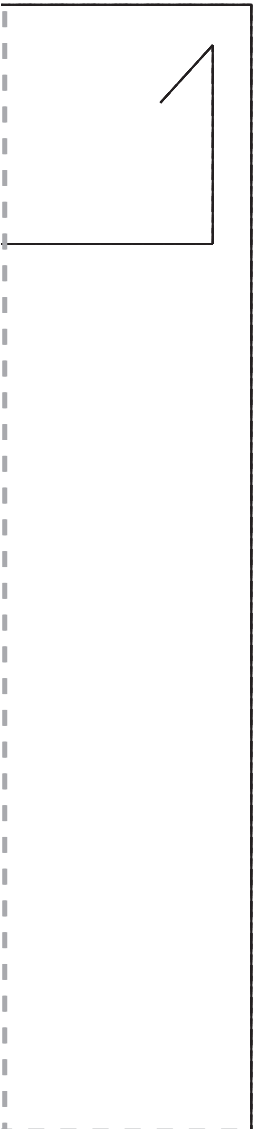
CLARA DRESS  
**SLEEVE**  
CUT ONE PAIR



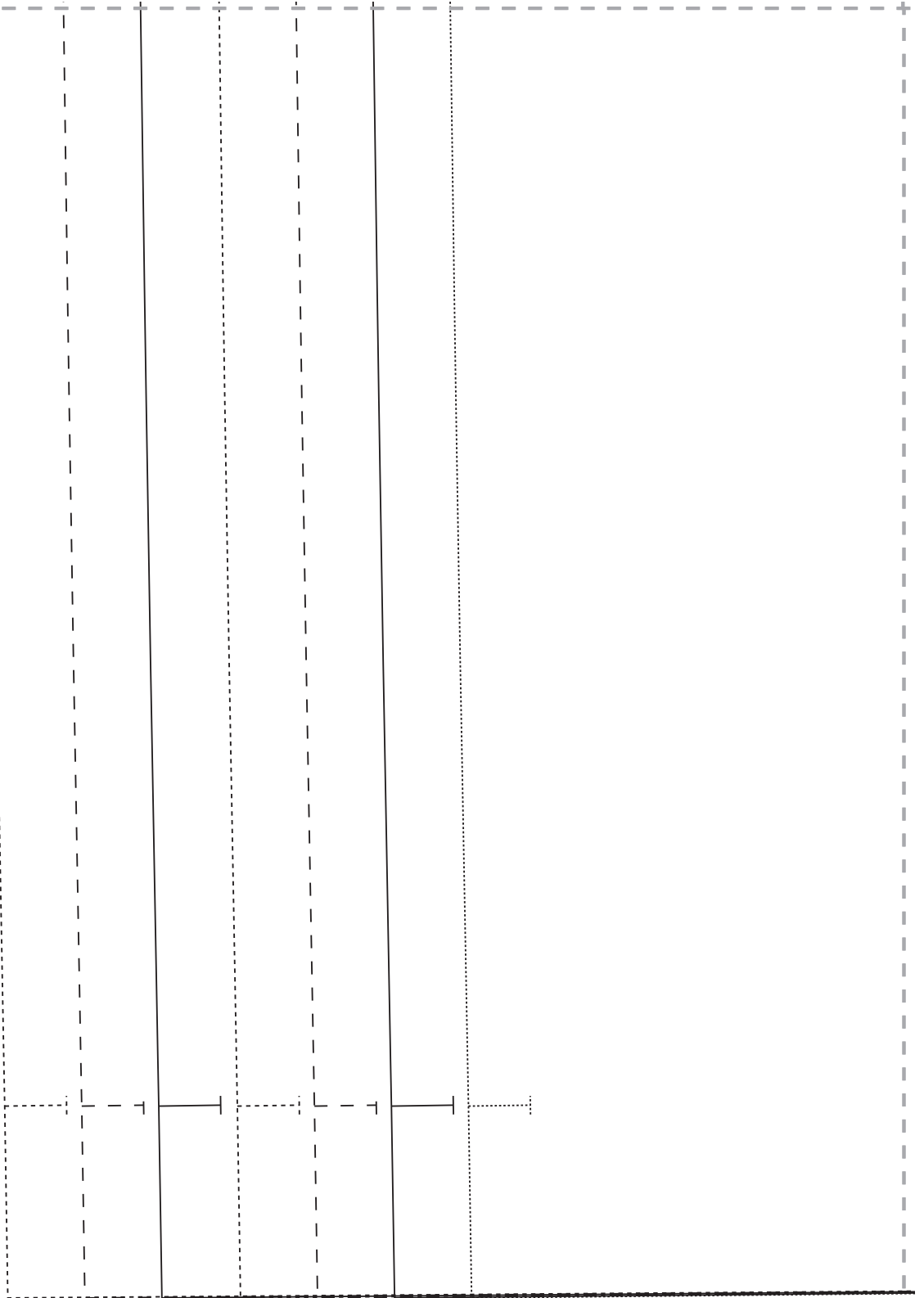
# 15



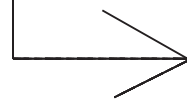
# 16



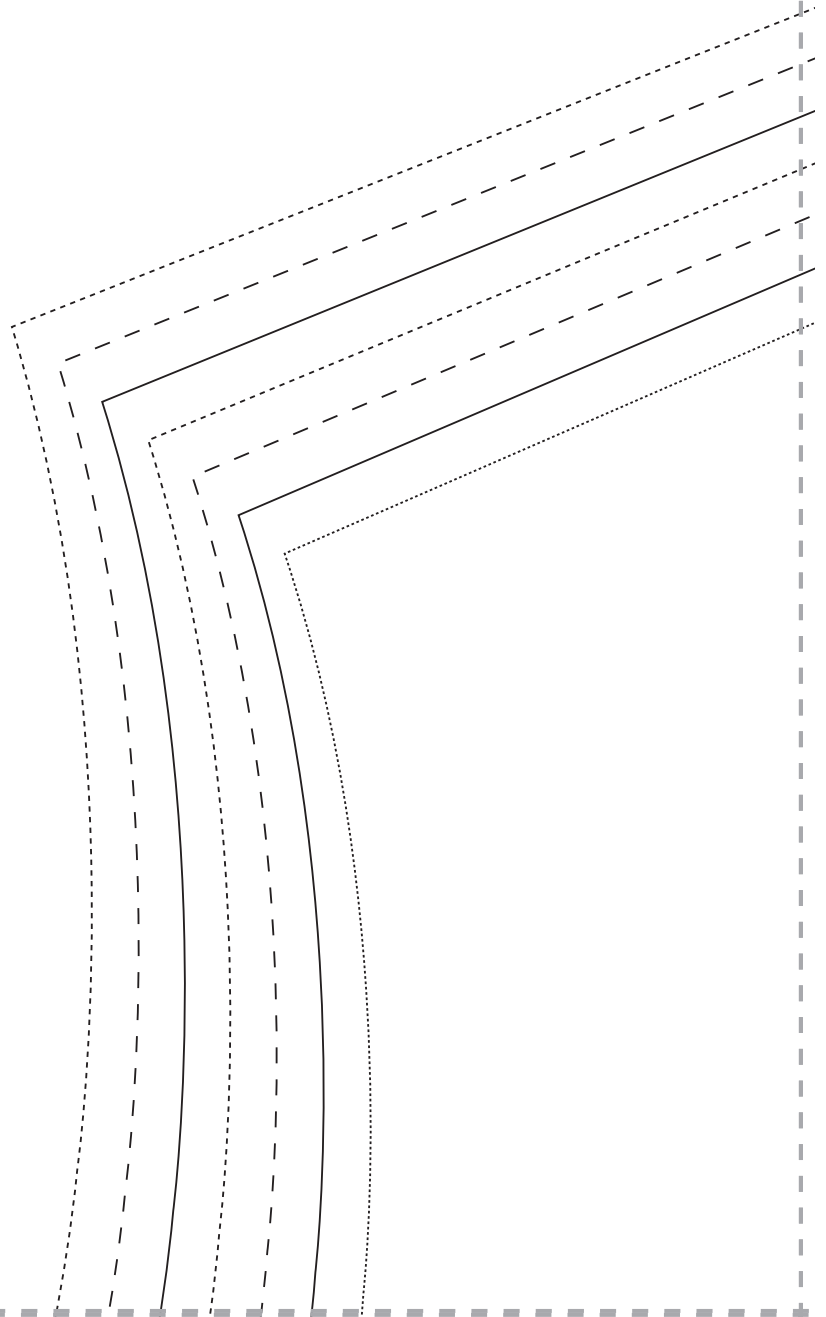
17



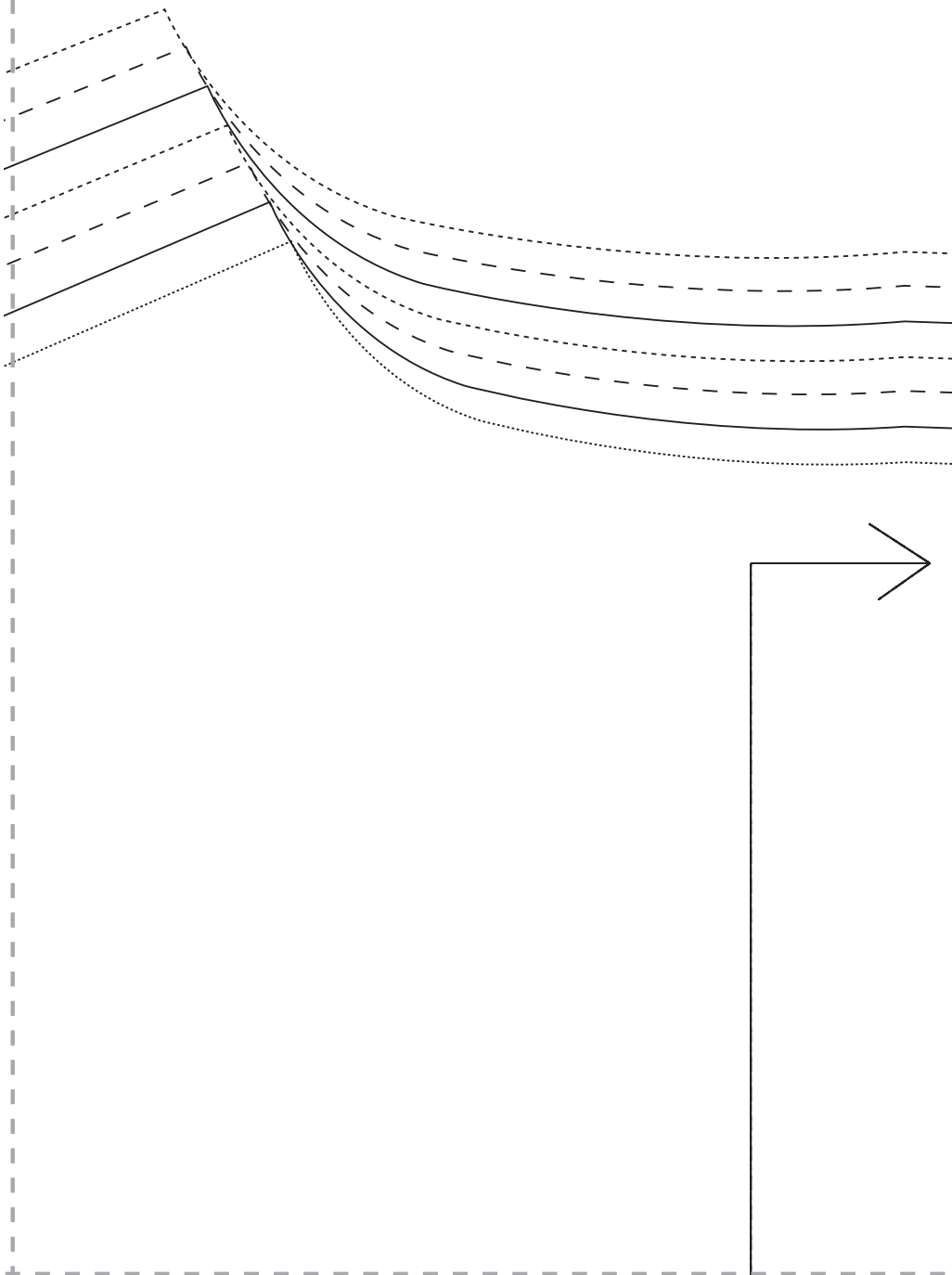
# 18



# 19

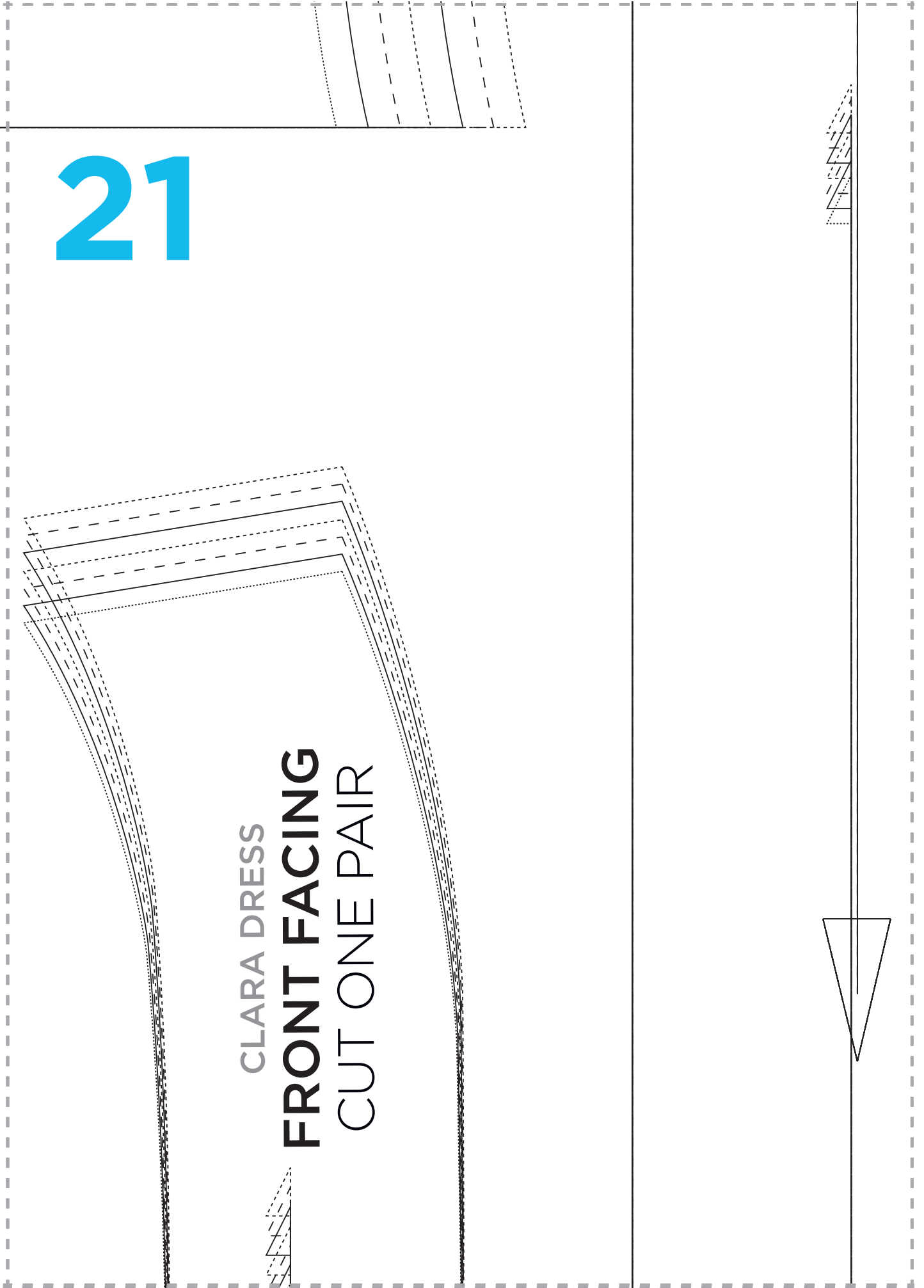


20

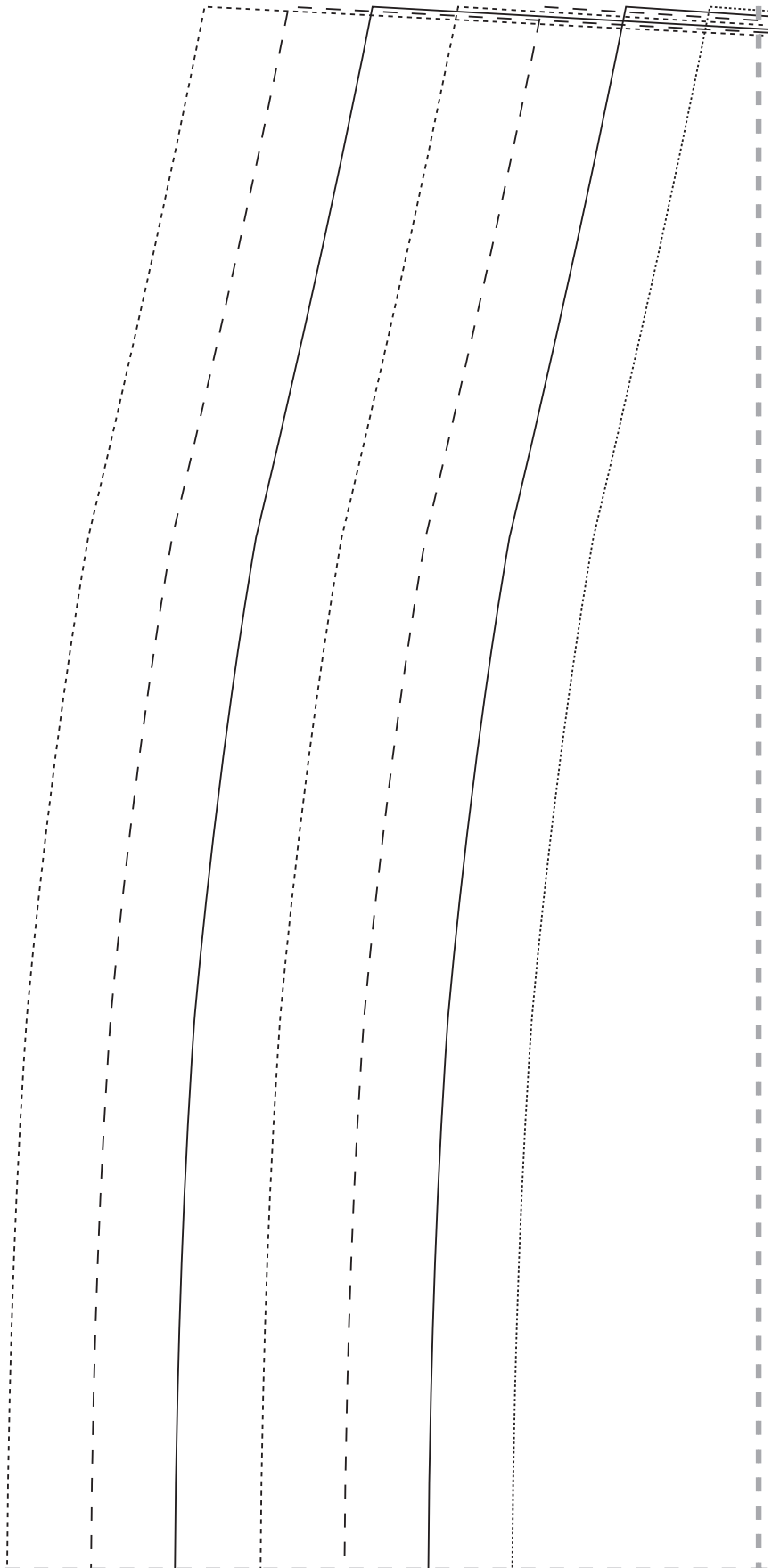


21

CLARA DRESS  
**FRONT FACING**  
CUT ONE PAIR

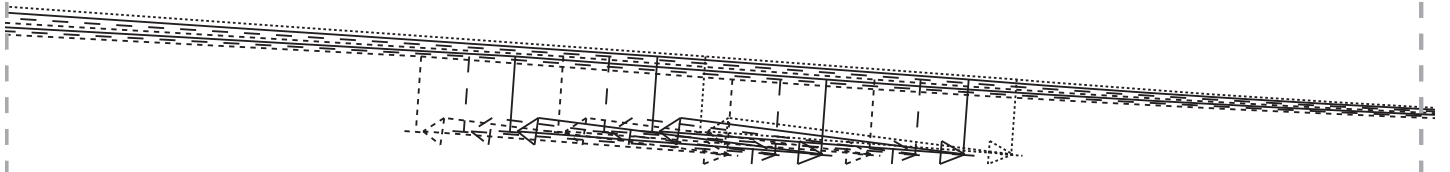


22

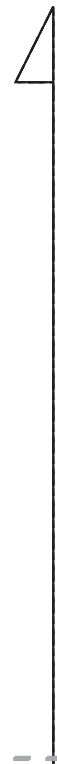




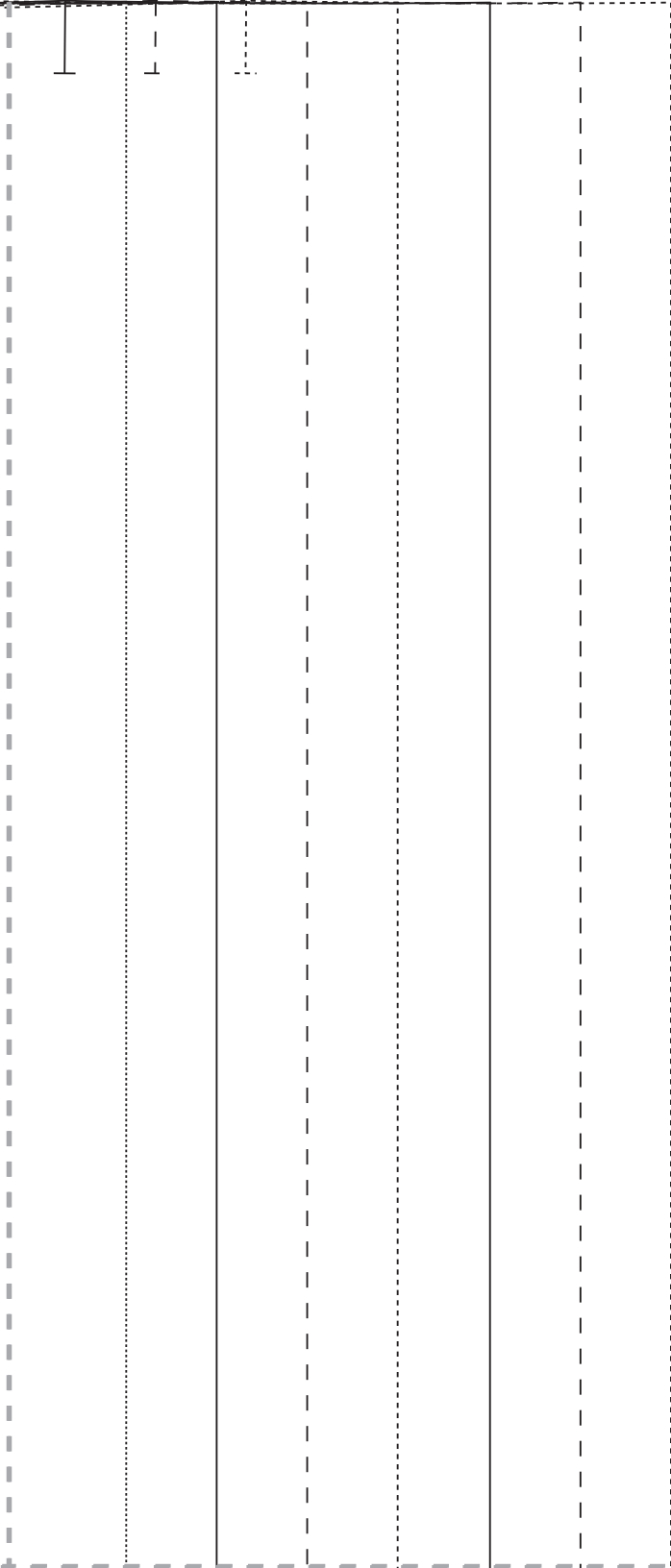
# 23



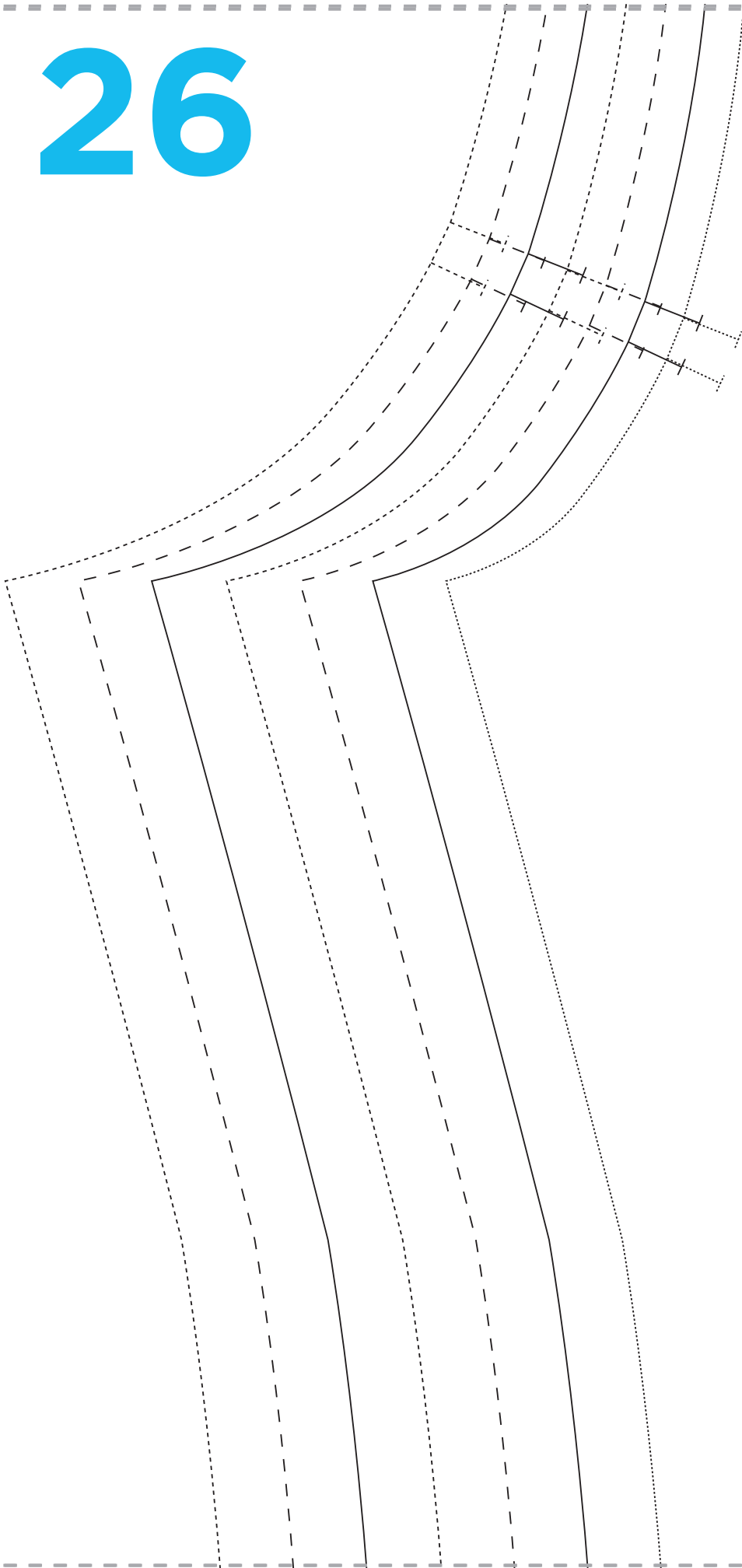
24



# 25

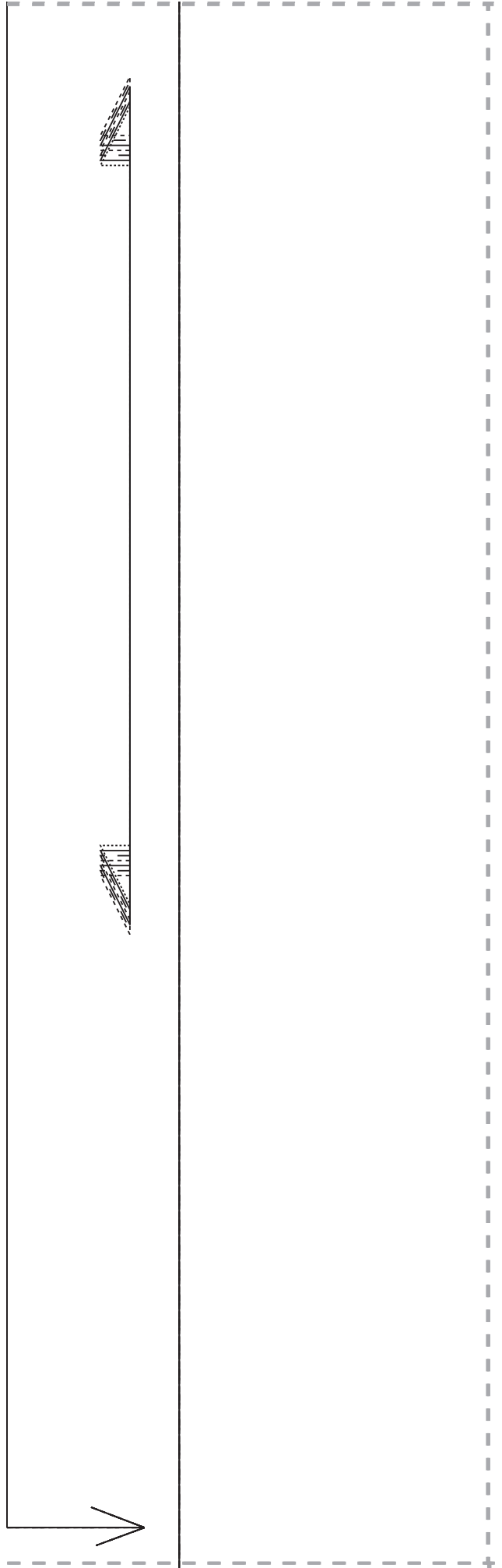


26



27

CLARA DRESS  
**BACK BODICE**  
CUT ONE ON  
THE FOLD



28



CLARA DE  
**LEFT**  
CUT ONE  
THE FC

29

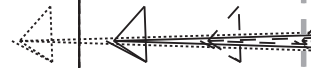
RESS  
**TIE**  
E ON  
OLD

30

CLARA DRESS  
**FRONT SKIRT**  
CUT ONE PAIR

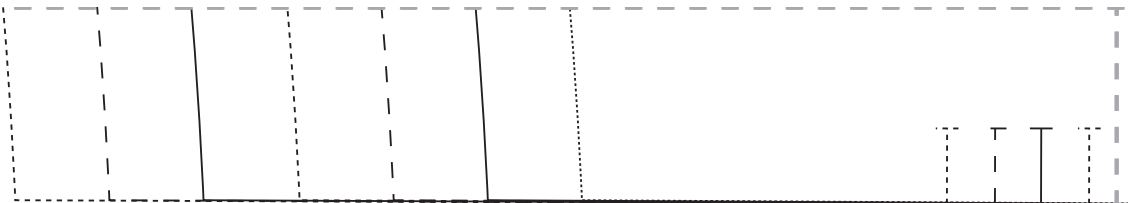


31



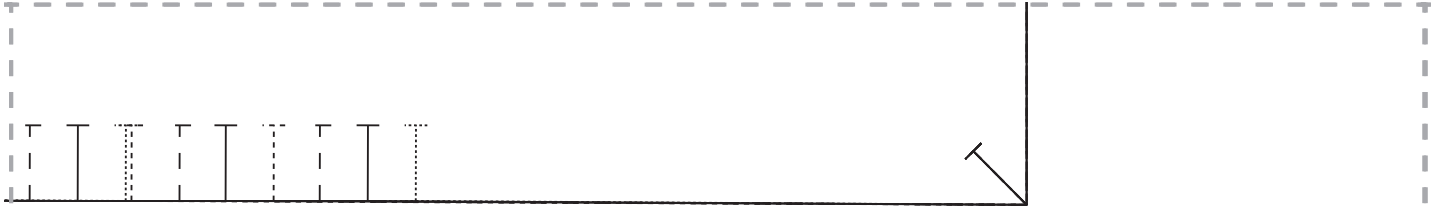
32



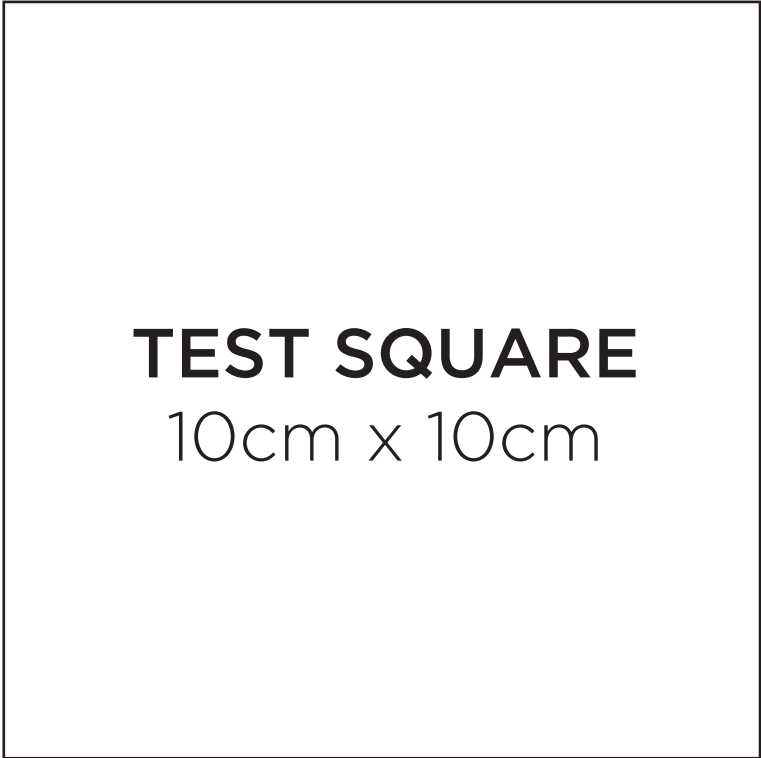


# 33

- ..... Size 8
- \_\_\_\_\_ Size 10
- - - - - Size 12
- ..... Size 14
- \_\_\_\_\_ Size 16
- - - - - Size 18
- ..... Size 20



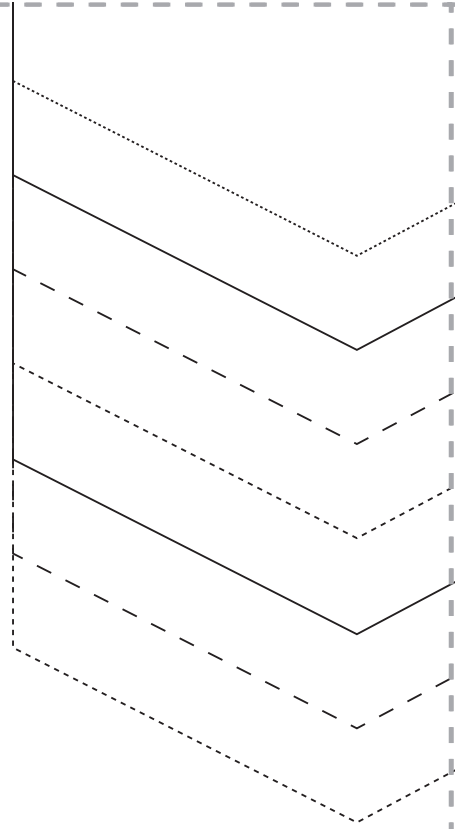
34



**TEST SQUARE**  
10cm x 10cm



35



36

A large rectangular area for handwriting practice, enclosed by a dashed border. On the left side, there is a slanted guide consisting of several parallel lines: a solid top line, a dashed middle line, and a solid bottom line. The rest of the area is divided into vertical columns by a solid line and several dashed lines, providing a structured space for practicing letter formation.

37

38





39

